

**SHOWER TRIM SET
K-T15211**

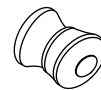
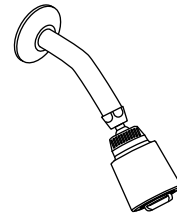
Features

- Metal construction
- Reversible 1/2" quarter-turn washerless ceramic disc valves
- Lever or acrylic handles
- Includes showerhead, arm, and flange

Codes/Standards Applicable

Specified model meets or exceeds the following:

- ASME A112.18.1/CSA B125.1





Colors/Finishes

- CP: Polished Chrome
- PB: Vibrant® Polished Brass

Accessories

- CP: Polished Chrome
- Other: Refer to Price Book for additional colors/finishes
- NA: None applicable

Specified Model

Model	Description		
K-T15211-4	Shower trim set with lever handles	<input type="checkbox"/> CP <input type="checkbox"/> PB	
K-T15211-7	Shower trim set with acrylic handles		<input type="checkbox"/> CP <input type="checkbox"/> PB
Required Accessories			
K-302-K	2-handle 1/2" ceramic disc valve system		<input type="checkbox"/> NA

Product Specification

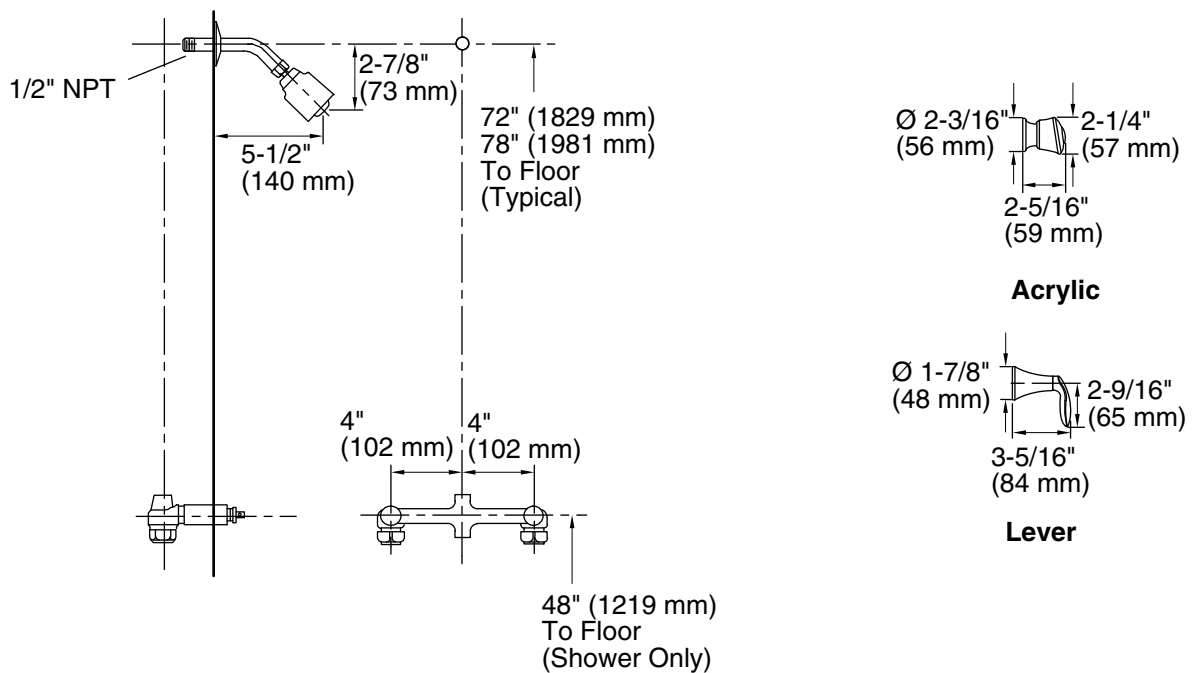
Two-handle shower trim set shall be of metal construction. Trim shall feature reversible 1/2" quarter-turn washerless ceramic disc valves. Product shall include showerhead with arm and flange, and lever or acrylic handles. Trim shall be Kohler Model K-T15211-_____-_____- and valve system shall be Kohler Model K-302-K-NA.

CORALAIS®

Optional Accessories			
56373	Deep roughing-in kit for wall-mount and shower faucets. For all handles except bath and shower faucets with stops	<input type="checkbox"/> CP	<input type="checkbox"/> Other ____
56374	Elongated escutcheons for bath and shower faucets with stops	<input type="checkbox"/> CP	<input type="checkbox"/> Other ____

Installation Notes

Install this product according to the installation guide.



Product Diagram