



Solid/Expressions™

61" vanity top with single Verticyl™ rectangular cutout
K-5459

Features

- Pairs with KOHLER Verticyl rectangular under-mount bathroom sinks
- Pilot holes for 4" (102 mm) centerset, 8" (203 mm) widespread, or single-hole faucet installation
- Sculpted edge
- Coordinates with the industry-standard 60" (1524 mm) KOHLER vanities
- Field trimmable for alcove and corner installations
- Optional side and backsplashes available (sold separately)

Material

- Solid surface

Installation

- Vanity top
- Includes mounting hardware for sink
- Accommodates single, 4" centerset, and 8" widespread faucet configurations

Included Components

Additional Components:
Mounting Screws



Codes/Standards

None Applicable


KOHLER® One-Year Limited Warranty

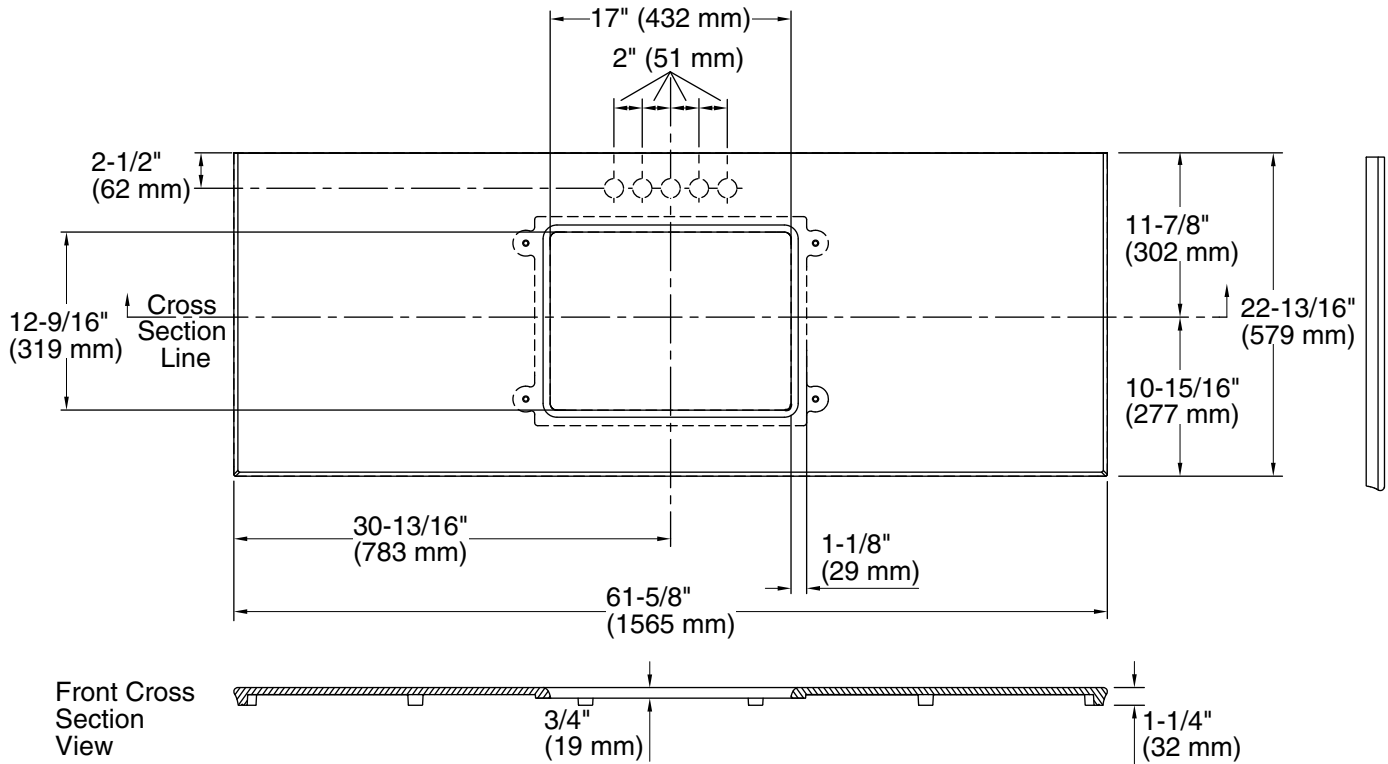
See website for detailed warranty information.

Available Colors/Finishes

Color tiles intended for reference only.

Color	Code	Description
-------	------	-------------

	S33	White Expressions
---	-----	-------------------



Technical Information

All product dimensions are nominal.

Bowl configuration: Single
 Installation: Vanity top/ITB
 Bowl area (Only): Length: 17" (432 mm)
 Width: 12-9/16" (319 mm)

Notes

Install this product according to the installation instructions.

Observe all local plumbing and building codes.

This countertop is designed to be installed with a KOHLER or standard-size vanity.

Faucet hole and sink-mounting locations are marked on the underside of the countertop.