


Job Name		Engineer / Architect	
Job Location		Wholesaler	
Submittal Date		Contractor	

CS401DL /CS501DL Copper Toilet Supply Kit –Multi-Turn Sweat Angle Stop w/ 5” Extension

Use: For use with water in accessible locations only. Not intended for recirculating water systems that produce continuous use temperatures above 115° F. For those applications, use our KT™ series ball stop supply kits.

Design Features:

- **Everything you need.** These kits combine our trusted BrassCraft® supply stop, copper riser, sweat extension, and escutcheon for an easy-to-install connection
-  **No Lead**

Copper riser provides:

- **One-piece** construction
- **Cut-to-length** for clean, professional installation

Multi-Turn stop provides:

- **Machined one-piece brass body** provides strength, durability, and long-lasting performance
- **Easy-to-remove handle** with screw attachment helps protect against accidental stop operation during rough-ins
- **Oval knurled handle** provides a secure grip and smooth on/off operation

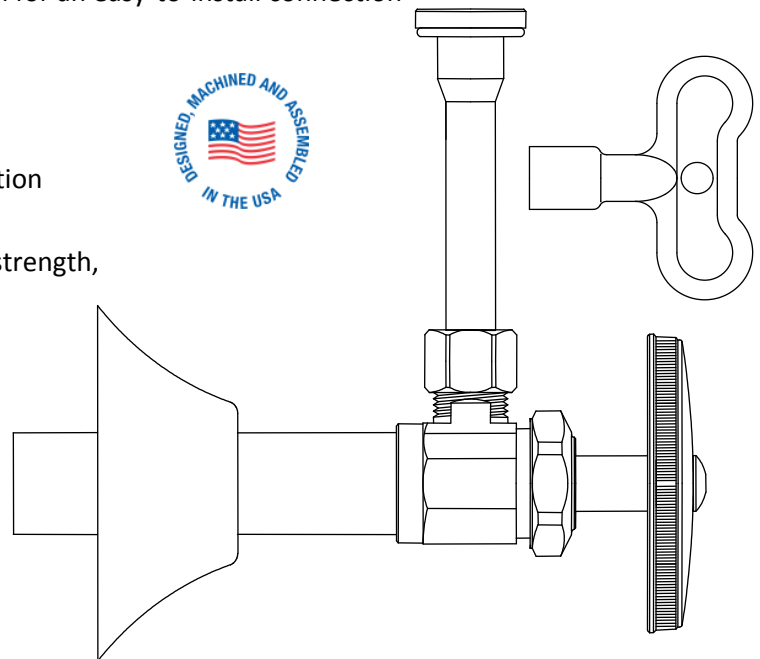
Operating Specifications:

Temperature: 40°- 140° F

Pressure: 125 PSI maximum

Tubing Diameter: 3/8” OD

Standard



CONNECTOR MATERIAL SPECIFICATIONS	
Tube	Copper per ASTM B-68
Nosepiece	POM

Escutcheon	Steel, chrome plated
-------------------	----------------------

Loose Key	Zinc die cast
Loose Key Adaptor	Brass or brass, plated
Lock Shield	Brass or brass, plated

STOP MATERIAL SPECIFICATIONS	
Body	Brass or brass, chrome plated
Stem	Brass or brass, chrome plated
Handle	Zinc die cast, plated
Handle Screw	Steel, zinc plated
Bib & Packing Washer	Rubber
Packing Nut	Brass or brass, chrome plated
Compression Sleeve	Brass
Compression Nut	Brass or brass, chrome plated
Sweat Extension	Copper, chrome plated

This specification and all information contained herein is the confidential and exclusive property of BrassCraft Manufacturing, and shall not be disclosed to others without the written consent of BrassCraft Mfg. This specification must be returned to BrassCraft Mfg if requested.



CS401DL /CS501DL Copper Toilet Supply Kit –Multi-Turn Sweat Angle Stop w/ 5” Extension

Compliant

CONNECTOR MATERIAL SPECIFICATIONS	
Tube	Copper per ASTM B-68
Nosepiece	POM

Escutcheon	Steel, chrome plated
-------------------	----------------------

Loose Key	Zinc die cast
Loose Key Adaptor	Brass or brass, plated
Lock Shield	Brass or brass, plated

STOP MATERIAL SPECIFICATIONS	
Body	Compliant brass or compliant brass, chrome plated
Stem	Compliant brass or compliant brass, chrome plated
Handle	Zinc die cast, plated
Handle Screw	Steel, zinc plated
Bib & Packing Washer	Rubber
Packing Nut	Brass or brass, chrome plated
Compression Sleeve	Brass
Compression Nut	Brass or brass, chrome plated
Sweat Extension	Copper, chrome plated

Standard Part Listing:

- CS401DL C 1/2" nom sweat with extension x 3/8" OD compression stop with 3/8" OD tube x 11-1/2" length riser & bell escutcheon, chrome plated
- CS501DL C 1/2" nom sweat with extension x 1/2" OD compression stop with 1/2" OD tube x 11-1/2" length riser & bell escutcheon, chrome plated
- SCS401DL C 1/2" nom sweat with extension x 3/8" OD compression stop with 3/8" OD tube x 11-1/2" length riser & bell escutcheon, chrome plated, loose key

Compliant Part Listing:

- CS401DLX C 1/2" nom sweat with extension x 3/8" OD compression stop with 3/8" OD tube x 11-1/2" length riser & bell escutcheon, chrome plated
- SCS401DLX C 1/2" nom sweat with extension x 3/8" OD compression stop with 3/8" OD tube x 11-1/2" length riser & bell escutcheon, chrome plated, loose key

This specification and all information contained herein is the confidential and exclusive property of BrassCraft Manufacturing, and shall not be disclosed to others without the written consent of BrassCraft Mfg. This specification must be returned to BrassCraft Mfg if requested.

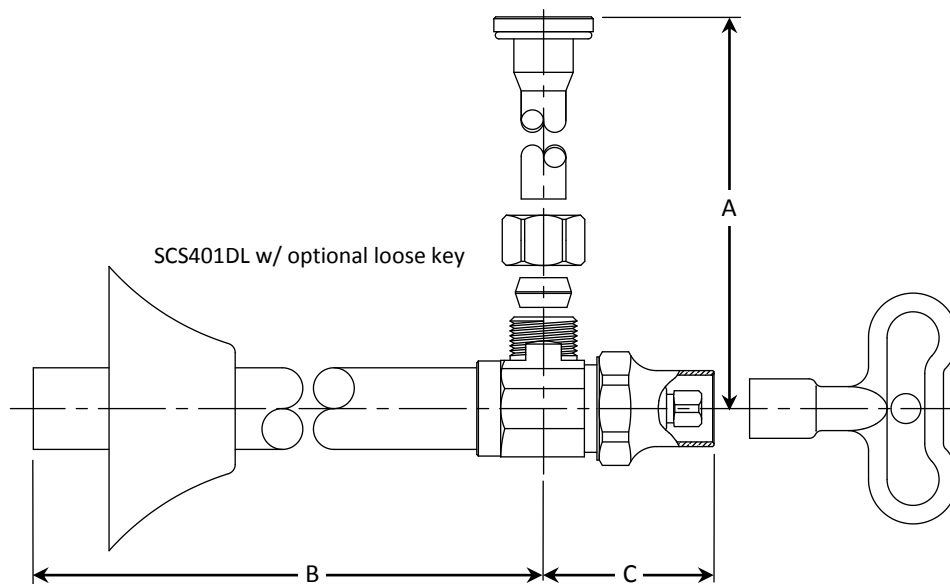
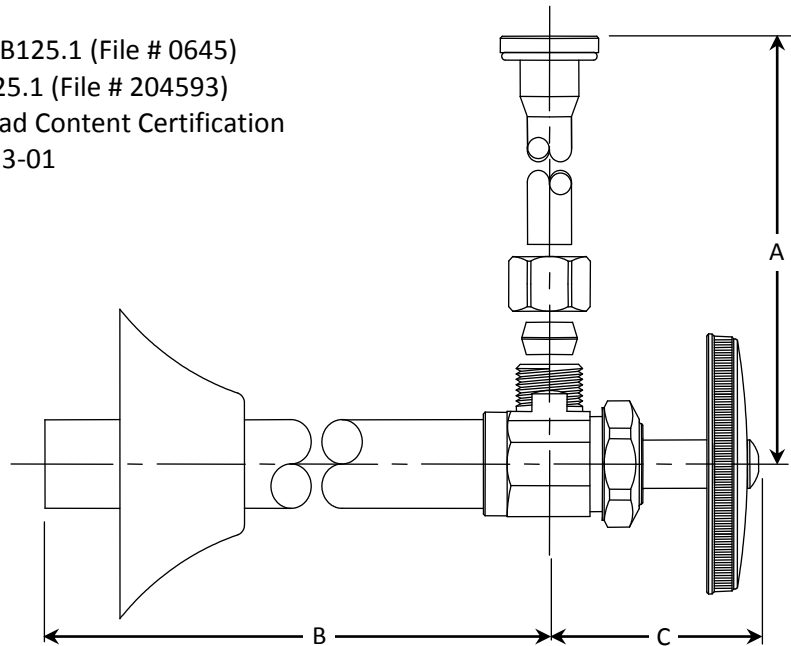


CS401DL /CS501DL Copper Toilet Supply Kit –Multi-Turn Sweat Angle Stop w/ 5” Extension

PART DIMENSIONS (Inches)			
Model	DIM A	DIM B	DIM C
CS401DL	11.85	5.46	1.70
CS501DL	11.85	5.46	1.70
SCS401DL	11.85	5.46	1.46

Listings & Certifications:

- IAPMO listed to ASME A112.18.1 / CSA B125.1 (File # 0645)
- CSA listed to ASME A112.18.1 / CSA B125.1 (File # 204593)
- Compliant product CSA listed to Low Lead Content Certification Program – Plumbing Products Class 6853-01



This specification and all information contained herein is the confidential and exclusive property of BrassCraft Manufacturing, and shall not be disclosed to others without the written consent of BrassCraft Mfg. This specification must be returned to BrassCraft Mfg if requested.

