

Submitted Model No.: _____

Specific Features: _____



SHOWER ARMS

- Fixed Shower Arms
- Brass Construction

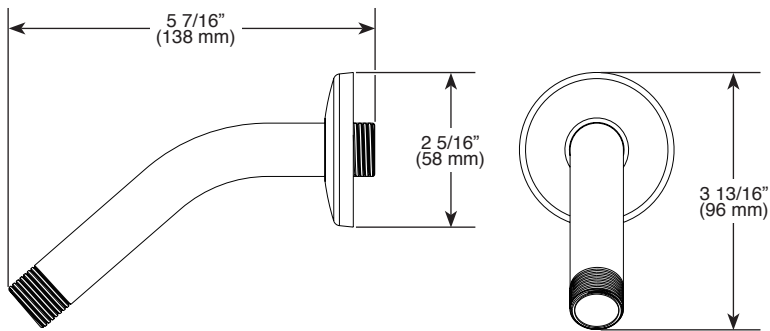
STANDARD SPECIFICATIONS:

- Shower arms attach directly to water supply.
- Shower arm with flange.
- 1/2-14NPSM threads.

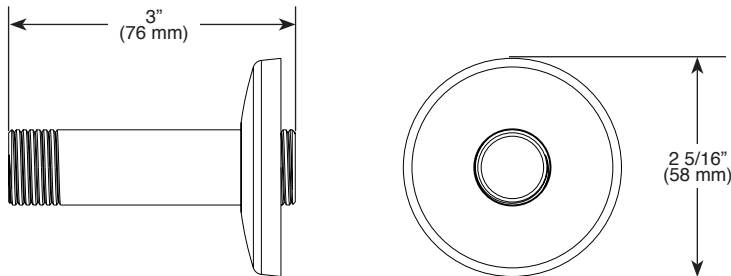
WARRANTY

- Lifetime limited warranty on parts (other than electronic parts and batteries) and finishes; or, for commercial users, for 5 years from the date of purchase.
- 5 year limited warranty on electronic parts (other than batteries); or for commercial users, for 1 year from the date of purchase. No warranty is provided on batteries.

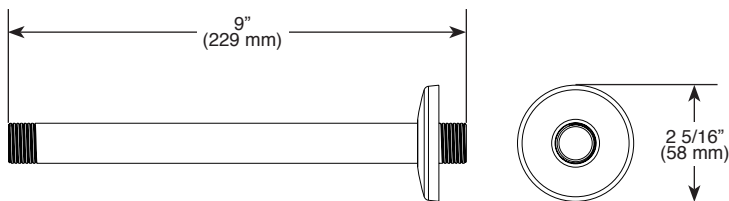
U4993▲-PK



U4996▲



U4999▲



▲ Designate proper finish suffix



55 E. 111th Street, Indianapolis, Indiana 46280
350 South Edgeware Road, St. Thomas, Ontario Canada N5P 4L1
© 2016 Masco Corporation of Indiana

Delta reserves the right (1) to make changes in specifications and materials, and (2) to change or discontinue models, both without notice or obligation. Dimensions are for reference only. See current full-line price book or www.deltafaucet.com for finish options and product availability.

DSP-B-U4993-PK Rev. A