

Features

- Robust steel frame
- Insulated tank to prevent sweating
- Dual-flush actuator offers a choice of 0.8 or 1.28 gpf (3.0 or 4.8 lpf)
- Large flush actuator plate opening can be removed for easy access to inner tank
- Adjustable height allows bowl to be set from drainage outlet centerline to frame bottom 6-7/16" – 19-13/16" (164 – 503 mm) from floor
- Works with compatible wall-hung bowls and select flush actuator plates to create a complete solution
- Eligible for consumer rebates in some municipalities

Installation

- When installed per Kohler installation instructions, the KOHLER in-wall tank and carrier system can support up to 500 lb (226.8 kg) without damage
- Durable steel frame carrier is installed on either 2" x 4" or 2" x 6" studs behind the wall. See installation guide and installation video for more detailed information
- Requires 1201721 electrical box kit when pairing bidet seat with bowl
- Supply line sold separately

Required Products/Accessories

K-28236

Recommended Products/Accessories

K-31539 Wall-hung compact elongated toilet, dual-flush
K-5413 Flush Actuator Plate
K-8857 Flush Actuator Plate
K-23251-F Flush actuator plate
K-23252-F Dual-flush actuator plate
K-75890 Flush Actuator Plate
K-78041 Dual-flush touchless actuator plate

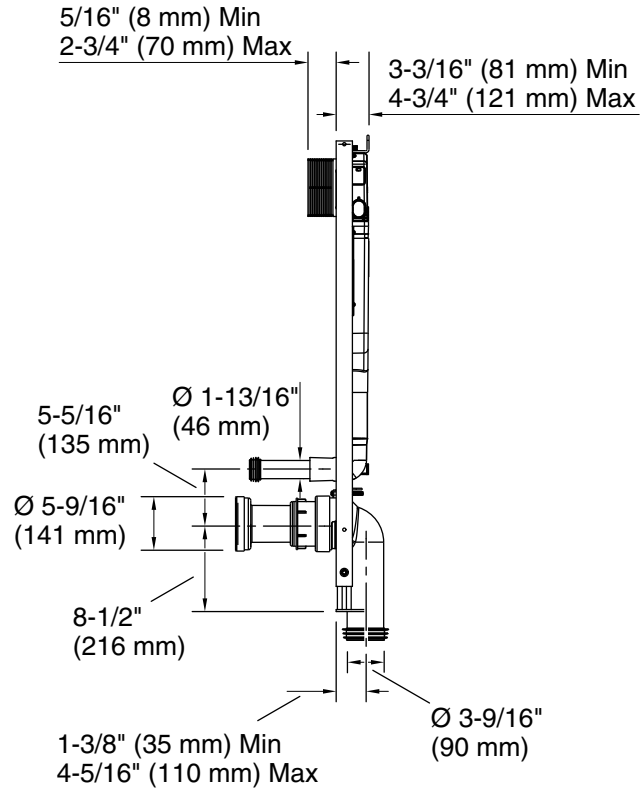
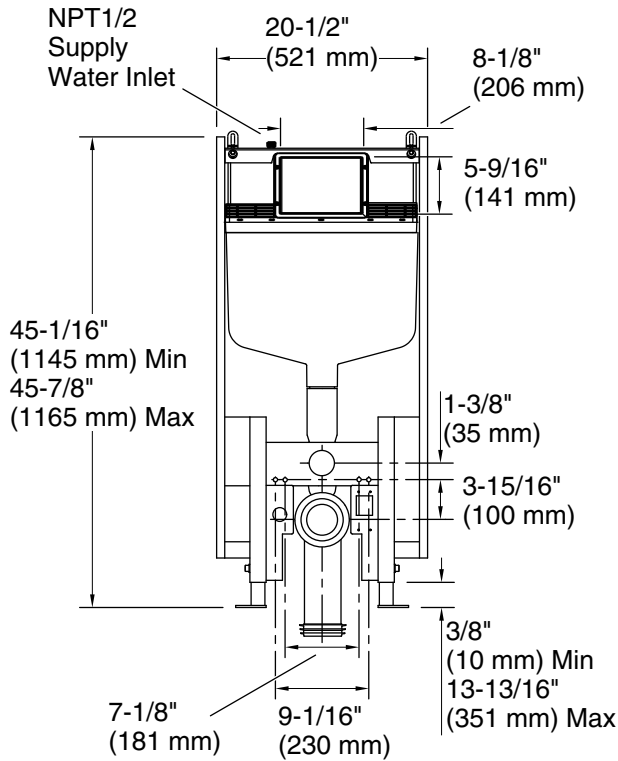


Codes/Standards

ASME A112.6.2
ASME A112.19.5/CSA B45.15
ASSE 1002/ASME A112.1002/CSA B125.12
DOE - Energy Policy Act 1992

KOHLER® Toilets and Seats Limited Warranty

See website for detailed warranty information.



Technical Information

All product dimensions are nominal.

Toilet type: In-wall mount

Waste Outlet: Wall

Flush type: Washdown

Fixture Supply Requirements

Min static pressure: 20 psi (137.9 kPa)

Max static pressure: 80 psi (551.6 kPa)

Min flowing pressure: 15 psi (103.4 kPa)

Min flow rate: 1 gpm (3.8 lpm)

Notes

Install this product according to the installation instructions.