

Features

- Brass and PVC construction
- Through-the-floor tile-in installation
- Removable grid plate
- Reversible collar to accommodate a variety of tile thicknesses
- 2" and 3" PVC connection

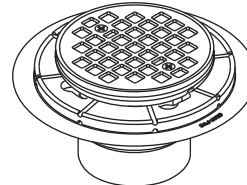
Codes/Standards Applicable

Specified model meets or exceeds the following:

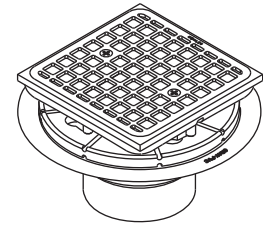
- ASME A112.18.2/CSA B125.2

TILE-IN SHOWER DRAIN

K-9135
ALSO K-9136



K-9135



K-9136

Colors/Finishes

- CP: Polished Chrome
- Other: Refer to Price Book for additional colors/finishes

Specified Model

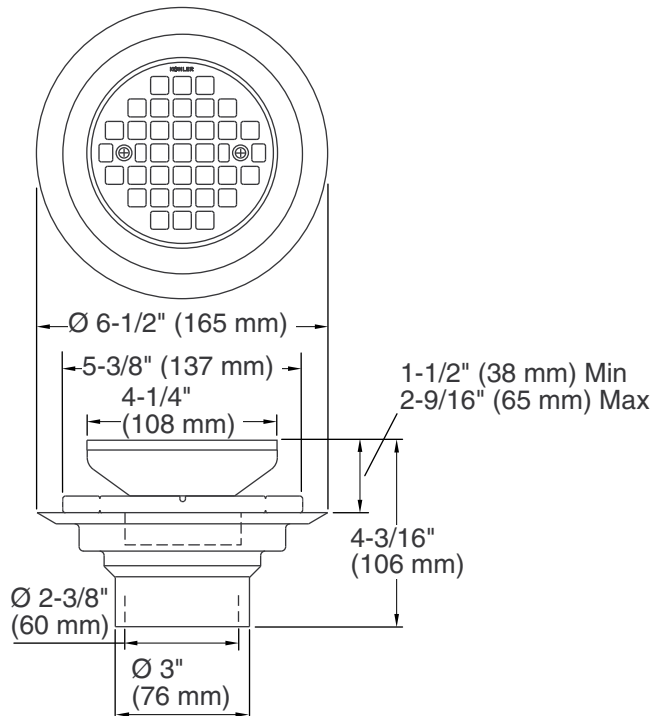
Model	Description	Colors/Finishes	
K-9135	Tile-in shower drain – round shaped grid plate	<input type="checkbox"/> CP	<input type="checkbox"/> Other ____
K-9136	Tile-in shower drain – square shaped grid plate	<input type="checkbox"/> CP	<input type="checkbox"/> Other ____

Product Specification

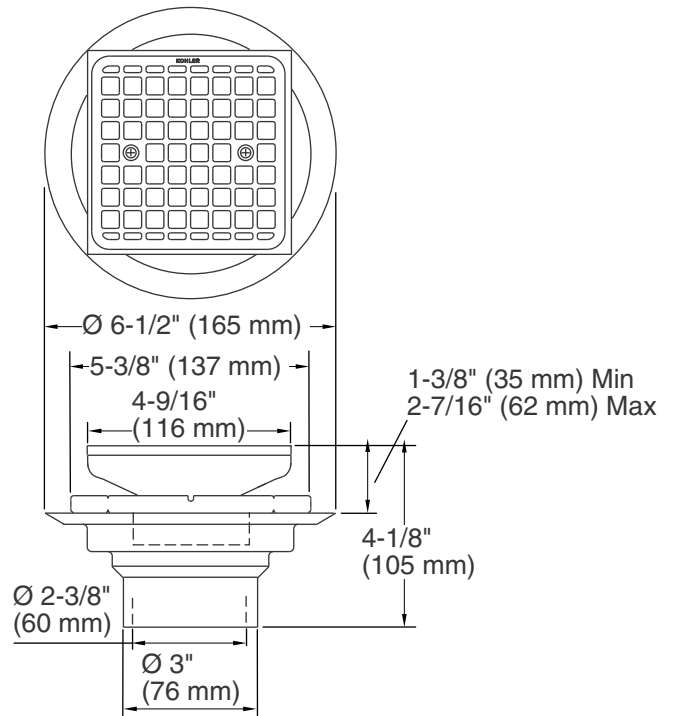
The tile-in shower drain shall be made of brass and PVC construction. Drain shall be for through-the-floor tile-in installation. Drain shall be for 2" and 3" PVC connection. Drain shall feature a removable grid plate and reversible collar to accommodate a variety of tile thicknesses. Drain shall be Kohler Model K-____-____.

Installation Notes

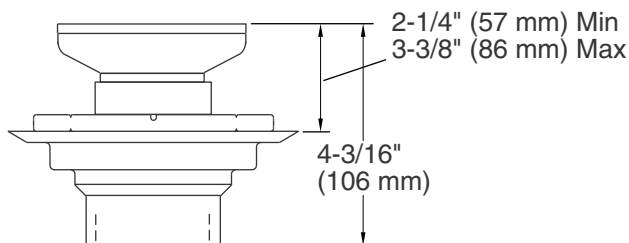
Install this product according to the installation guide.



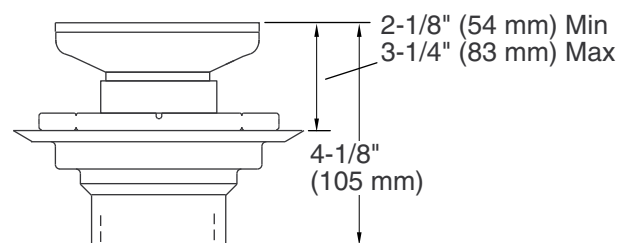
K-9135
Collar with Threads Facing Down



K-9136
Collar with Threads Facing Down



Collar with Threads Facing Up



Collar with Threads Facing Up

Product Diagram