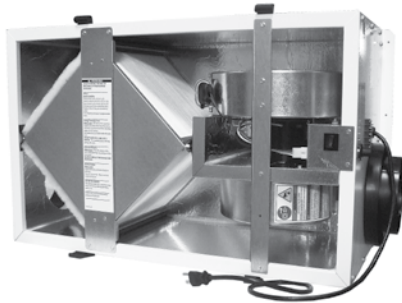


BR 130

INDOOR UNIT
Duct Mounted or Thru-the-Wall

Energy Recovery Ventilator
Standard



Download specification at:
renewaire.com/specifications

SPECIFICATIONS

Ventilation Type:
Static plate, heat and humidity transfer

Typical Airflow Range: 50-140 CFM

Unit is HVI Tested/Certified per CSA C439 Protocol: Using one L-50-G5 Core

Standard Features:
White painted cabinet
Line-cord power supply
Built-in control
Unit may be mounted in any orientation
Cross-core differential pressure ports

Control:
Built-in proportional runtime control and switched terminals for furnace/AC interconnect

Filters:
Total qty. 2, MERV 8, spun-polyester media:
10 1/2" x 10 1/2" x 1"

Unit Dimensions & Weight:
33 1/2" L x 19 1/4" W x 13 1/2" H
48 lbs.

Max. Shipping Dimensions & Weight (in carton):
32" L x 22" W x 18" H
60 lbs.

Motor(s):
Qty. 1, Double-shaft standard motor

Accessories:
Backdraft damper 6", 8"
Automatic balancing damper 4", 5", 6"
Louvered wall vent 6" - white, brown
Exterior thru-the-wall installation kit
Duct collar kit (two collars)
MERV 13 filter - OA airstream (shipped loose)
Electric duct heater - RH series (1-5 kW);
designed for indoor ductwork installation only

Note: Indirect Gas-Fired Duct Furnace is not available on the BR130.

ELECTRICAL DATA

HP	Volts	HZ	Phase	Input Watts	FLA
0.1	120	60	Single	121 @ 124 CFM	1.3

UNIT PERFORMANCE

Airflow CFM	ESP in H ₂ O
51	0.70
68	0.60
93	0.50
112	0.40
131	0.30
140	0.20
148	0.10

CORE PERFORMANCE

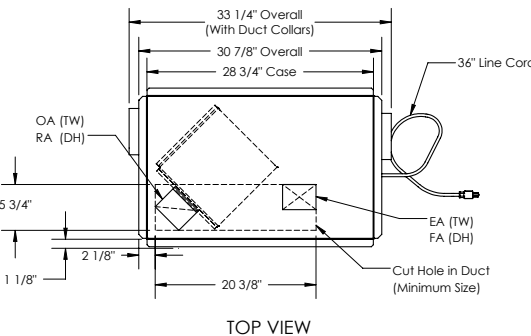
Airflow CFM	Temp EFF%	Total EFF% Winter/Summer*
51	82	78/65
68	80	75/61
93	76	71/56
112	74	68/53
131	71	65/49
140	70	63/47
148	69	62/46

Note: These are core-only ratings and are not HVI certified.
HVI ratings apply to complete units only.
See HVI certification ratings on pg. 30 of Single/Multi-Family Catalog.

UNIT DIMENSIONS

AIRFLOW ORIENTATION
Available as shown in dimension drawing.

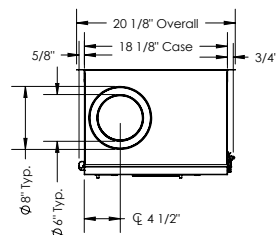
UNIT MOUNTING & APPLICATION
Can be mounted in any orientation. If duct-mounted, airstreams cannot be switched. If mounted with exterior Thru-the-wall installation kit, the RA/EA airstreams are switched with the OA/FA airstreams. If four ducts are connected using duct collar kit, airstreams may be switched.



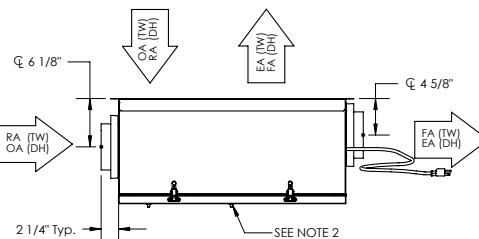
ABBREVIATIONS
EA: Exhaust Air to outside
OA: Outside Air intake
RA: Room Air to be exhausted
FA: Fresh Air to inside
TW: Thru Wall
DH: Duct Hung

INSTALLATION ORIENTATION
Unit may be installed in any orientation.

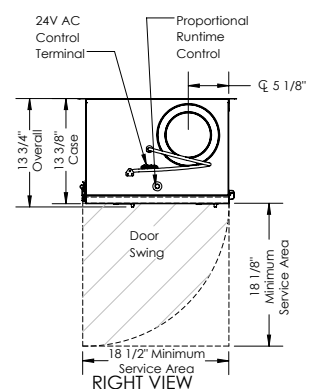
NOTE
1. UNLESS OTHERWISE SPECIFIED, DIMENSIONS ARE ROUNDED TO THE NEAREST EIGHTH OF AN INCH.
2. PRESSURE PORTS FOR EACH AIRSTREAM ARE LOCATED ON DOOR OF UNIT.
3. SPECIFICATIONS MAY BE SUBJECT TO CHANGE WITHOUT NOTICE.



LEFT VIEW



FRONT VIEW



RIGHT VIEW

Specifications may be subject to change without notice.