



4675 W. 160th St.  
Cleveland, Ohio 44135  
Ph: (800) 321-9532  
Fax: (800) 321-9535  
www.dearbornbrass.com

**SUBMITTAL SPECIFICATION**

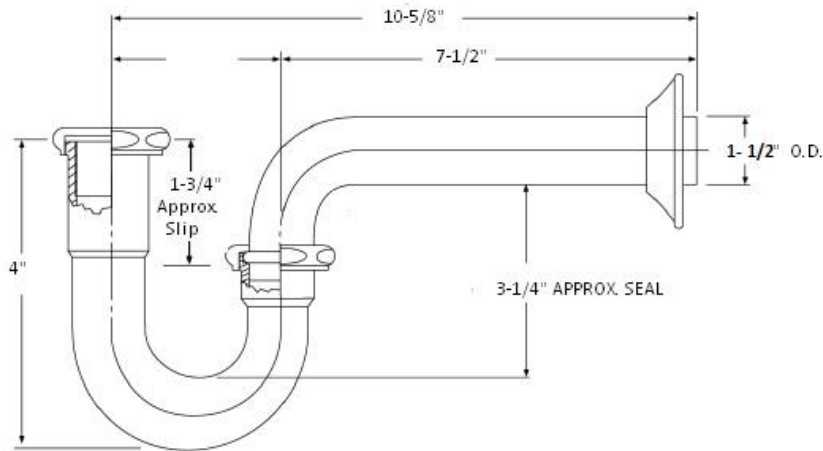
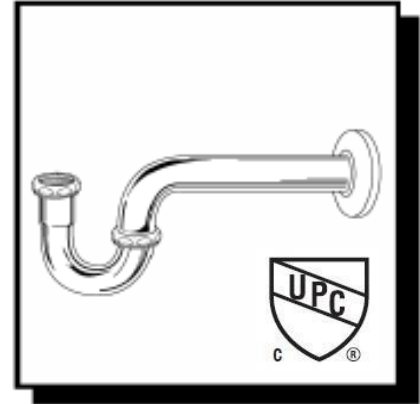
**BRASS TUBULAR  
1-1/2" P-TRAP WITHOUT CLEANOUT**

**Engineering Specification:** Dearborn Brass 1-1/2" Brass Tubular P-Trap without Cleanout are designed for use in tubular drain applications. Available in 17, 20 or Budget Gauge Brass. Options include Brass Nuts, Deep Flange, Longer Wall Tube, Ground Joint and Unfinished Brass.

**Job Reference**

**DESCRIPTION**

- Chrome Finished
- 1-1/2" P-Trap Without Cleanout
  - (1) Metal Flange
  - (1) Quarter Bend
  - (1) J-Bend
  - (2) Rubber Washers
  - (2) Nuts



✓	Product No.	Description	Carton Quantity	Carton Weight (lbs)
	2702-1	1-1/2" P-Trap – Budget Ga.	25	23
	2702DF-1	1-1/2" P-Trap – Budget Ga. w/ Deep Flange	25	25
	702-1	1-1/2" P-Trap – 20 Ga.	25	28
	702BN-1	1-1/2" P-Trap – 20 Ga. w/Brass Nuts	25	30
	702DF-1	1-1/2" P-Trap – 20 Ga. w/ Deep Flange	25	29
	702DFBN-1	1-1/2" P-Trap – 20 Ga. w/ Deep Flange and Brass Nuts	25	31
	702A-1	1-1/2" P-Trap – 20 Ga. w/ 11.25" Wall Tube	25	35
	704-1	1-1/2" P-Trap – 17 Ga.	25	35
	H704-3	1-1/2" P-Trap – 17 Ga., Unfinished Brass – Display Box	6	8
	704BN-1	1-1/2" P-Trap – 17 Ga. w/ Brass Nuts	25	36
	704DF-1	1-1/2" P-Trap – 17 Ga. w/ Deep Flange	25	36
	704DFBN-1	1-1/2" P-Trap – 17 Ga. w/ Deep Flange and Brass Nuts	25	38
	704A-1	1-1/2" P-Trap – 17 Ga. w/ 10" Wall Tube	25	39
	704G-1	1-1/2" P-Trap – 17 Ga. w/ Ground Joint	25	36
	704GBN-1	1-1/2" P-Trap – 17 Ga. w/ Ground Joint and Brass Nuts	25	37
	704GBN-3	1-1/2" P-Trap – 17 Ga. w/ Ground Joint and Brass Nuts, Unfinished Brass	25	38
	704GDFBN-1	1-1/2" P-Trap – 17 Ga. w/ Ground Joint, Deep Flange and Brass Nuts	25	37

Data is subject to manufacturing tolerances.