

ProPEX® Lead-free (LF) Water Heater Adapter

Submittal Information

Revision A: Jan. 27, 2010

Project Information

Job Name:

Location:

Part No. Ordered:

Engineer:

Date Submitted:

Contractor:

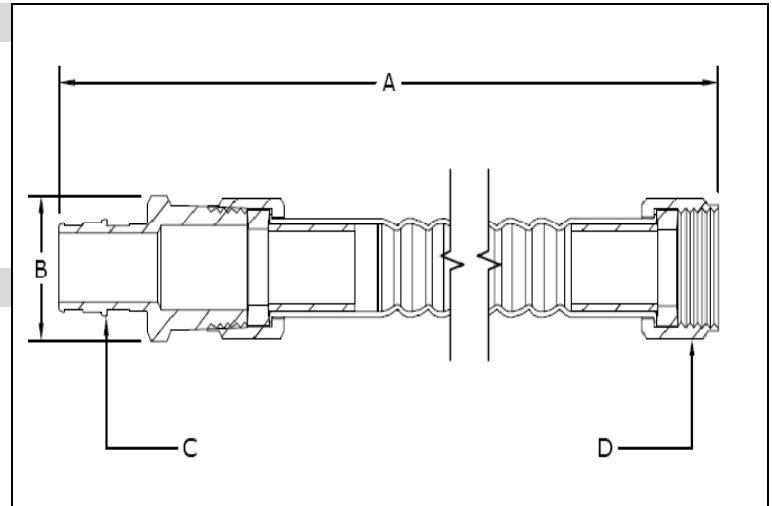
Submitted By:

Manufacturer's Representative:

Approved By:

Technical Data

Material: Stainless Steel;
C69300 Brass



Product Information and Application Use

The Uponor ProPEX® Lead-free Water Heater Adapter (stainless steel) connects 3/4" PEX to a water heater.¹

✓ Description	Part Number	A	B	C	D	Weight
ProPEX LF Water Heater Adapter, 3/4" PEX LF Brass x 3/4" FIP x 18"	LF2957575	19.0"	1.3"	3/4" PEX	3/4" FIP	0.9 lbs.

Installation

Refer to the AquaPEX® Professional Plumbing Installation Guide for more information.

Standards

CAN/CSA B137.5; ASTM F877; ASTM F1960

Codes

IPC; UPC; NSPC; NPC of Canada

Listings

ANSI/NSF 14- and 61-certified; ICC ESR 1099; HUD MR 1269; U.P. Code, Annex G

Related Applications

PEX-a Plumbing Systems

Contact Information

Uponor, Inc.
5925 148th Street West
Apple Valley, MN 55124 USA
Phone: (800) 321-4739
Fax: (952) 891-2008
www.uponor-usa.com

Uponor Ltd.
2000 Argentia Rd., Plaza 1, Ste. 200
Mississauga, ON L5N 1W1 CANADA
Phone: (888) 994-7726
Fax: (800) 638-9517
www.uponor.ca

¹ProPEX® is a registered trademark of Uponor, Inc. ProPEX™ is a trademark of Uponor Ltd.