

Features

- 3" (76 mm) raised seating surface provides a more comfortable height for those with limited mobility.
- Eye-pleasing design mimics a conventional toilet seat, with no unattractive riser to detract from your bathroom decor.
- Round closed-front seat.
- Contoured seat for user comfort.
- Grip-Tight installation hardware makes it easy to fasten the seat – everything is done from above the bowl.
- Quick-Release™ functionality allows seat to be removed easily from toilet for convenient cleaning.
- Grip-Tight bumpers hold seat firmly in place.
- Quiet-Close™ round-front seat closes quietly.

Material

- Plastic construction.

Installation

- Installs easily and securely onto your existing toilet bowl.
- For residential use only.

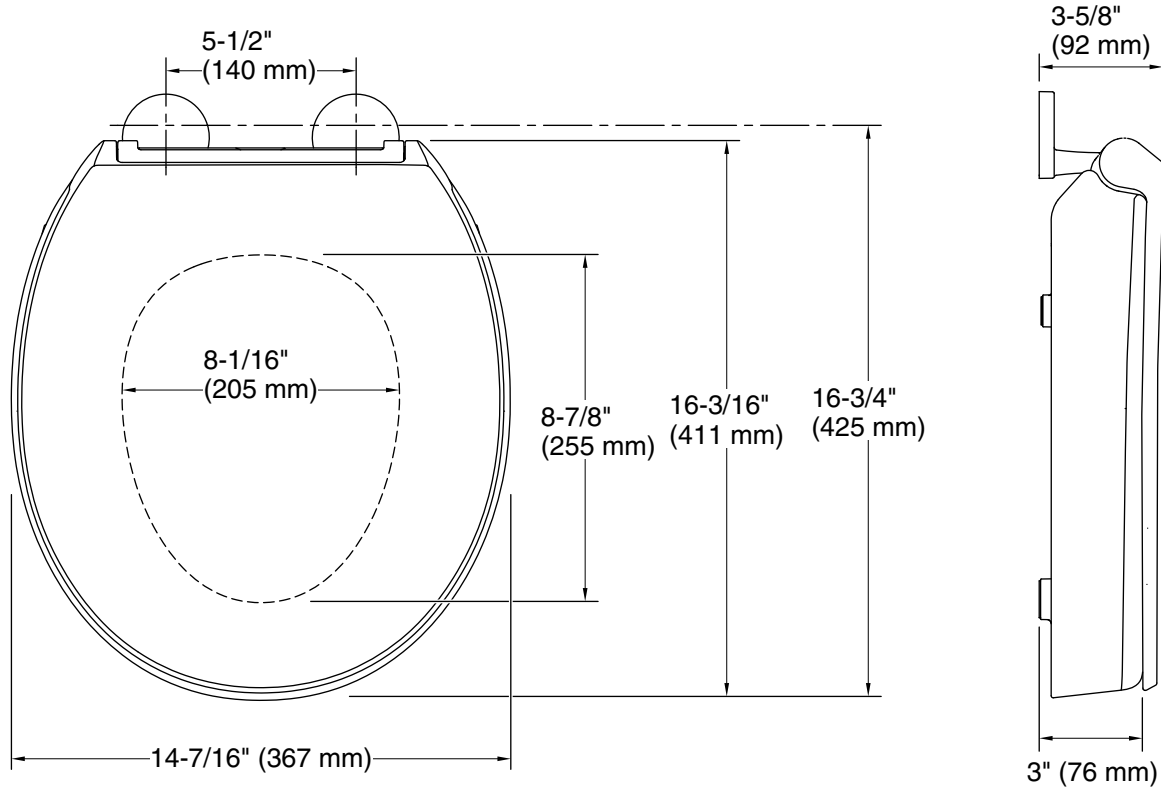


Codes/Standards

IAPMO/ANSI Z124.5

KOHLER® Toilets and Seats Limited Warranty

See website for detailed warranty information.



Technical Information

All product dimensions are nominal.

Seat shape type: Round-front
Seat front type: Closed-front
Seat-mounting holes: 5-1/2" (140 mm)