



All Stainless Steel Marine or Underground Hose Clamps

5/16" HEX HEAD SCREW

60000 SERIES

- Highly corrosion resistant
- Use for marine or underground applications



IAPMO Listed

PART NUMBER	BEST FITS HOSE ID
60006	3/8"
60008	3/8"
60010	5/8"
60012	3/4"
60016	1"
60020	1-1/4"
60024	1-1/2"
60028	1-3/4"
60032	2"
60036	2-1/4"
60040	2-1/2"
60044	2-3/4"
60048	3"
60052	3-1/4"

PART NUMBER	BEST FITS HOSE ID
60056	3-1/2"
60064	4"
60072	4-1/4"
60080	4-1/2"
60088	5"
60096	5-1/2"
600104	6"
600116	7-1/2"
600128	8-1/2"
600152	9-3/4"
600164	10"
600188	12"
600212	13"

See page J-2 for max/min diameters

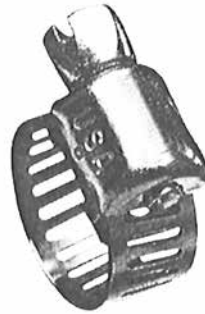


## Miniature Clamps

1/4" HEX HEAD SCREW

### 60M00 SERIES

- Marine grade, 100% stainless steel. Screw - 305 stainless. Band 300 series stainless. Housing 300 series stainless.



PART NUMBER	BEST FITS HOSE ID
60M04	1/4"
60M05	3/8"
60M06	1/2"

## Standard Hose Clamp Diameters

All manufacturers of hose clamps use the last two or three digits of their part number to indicate the size of that clamp. Although published diameter ranges may vary, the last digits remain constant and can be used to determine the size of any hose clamp.

LAST DIG OF #	MINIMUM INCHES	MAXIMUM INCHES
06	7/16"	25/32"
08	1/2"	29/32"
10	9/16"	1-1/16"
12	11/16"	1-1/14"
16	13/16"	1-1/2"
20	13/16"	1-3/4"
24	1-1/16"	2"
28	1-5/16"	2-1/4"
32	1-9/16"	2-1/2"
36	1-13/16"	2-3/4"
40	2-1/6"	3"
44	2-5/16"	3-1/4"
48	2-9/16"	3-1/2"

LAST DIG OF #	MINIMUM INCHES	MAXIMUM INCHES
52	2-13/16"	3-3/4"
56	3-1/16"	4"
64	3-9/16"	4-1/2"
72	1-7/8"	5"
80	2-1/2"	5-1/2"
88	3-1/8"	6"
96	3-5/8"	6-1/2"
104	4-1/4"	7"

### MINI HOSE CLAMP DIAMETERS

LAST DIG OF #	MINIMUM INCHES	MAXIMUM INCHES
04-05	1/4"	5/8"
06	5/16"	7/8"

## Quick Release

- 5/16" HEX HEAD SCREW

### 500 SERIES

- Screw - carbon steel, band 301 series stainless, housing carbon steel

### 550 SERIES

- All stainless steel
- Screw 410 stainless, band 301 series stainless, housing 301 series stainless
- Quick installation and quick replacement of clamp. Ideal for filter bags, etc. All stainless steel style can be used to install DWV saddles.



PART NUMBER	BEST FITS HOSE ID
50056	3-1/2"
500104	6-3/4"
500188	12-1/2"
550248*	15-3/4"



## Red Brass (Bronze) Pipe Fittings

Compliant

AB 1953

Threaded - 125 pound. **PASCO** Cast Bronze Fittings meet ANSI B16.15-1978 Specification for 125 Pound Thread Fittings

### Couplings



PART NUMBER	SIZE
7100	1/8"
7101	1/4"
7102	3/8"
7103	1/2"
7104	3/4"
7105	1"
7106	1-1/4"
7107	1-1/2"
7108	2"

### 45° Elbows



PART NUMBER	SIZE
7175	1/4"
7176	3/8"
7177	1/2"
7178	3/4"
7179	1"
7181	1-1/2"

### Reduced Couplings



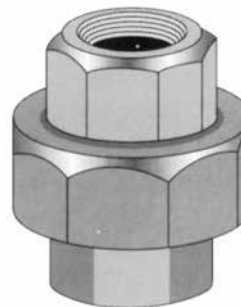
PART NUMBER	SIZE
7118	1/4" x 1/8"
7119	3/8" x 1/4"
7120	3/8" x 1/8"
7123	1/2" x 3/8"
7124	1/2" x 1/4"
7125	1/2" x 1/8"
7126	3/4" x 1/2"
7127	3/4" x 3/8"
7128	3/4" x 1/4"
7129	1" x 3/4"
7130	1 x 1/2"
7134	1-1/4" x 1"
7135	1-1/4" x 3/4"
7138	1-1/2" x 1-1/4"
7139	1-1/2" x 1"
7140	1-1/2" x 3/4"
7141	1-1/2" x 1/2"
7142	2" x 1-1/2"
7143	2" x 1-1/4"
7144	2" x 1"

### 45° Street Elbows



PART NUMBER	SIZE
7190	1/4"
7192	1/2"
7193	3/4"
7195	1-1/4"
7196	1-1/2"

### Unions



PART NUMBER	SIZE
7163	1/4"
7164	3/8"
7165	1/2"
7166	3/4"
7167	1"
7168	1-1/4"
7169	1-1/2"
7170	2"




## Red Brass (Bronze) Pipe Fittings

Compliant

AB 1953

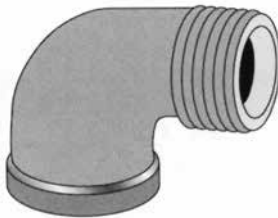
Threaded - 125 pound. **PASCO** Cast Bronze Fittings meet ANSI B16.15-1978 Specification for 125 Pound Thread Fittings

### 90° Elbows




PART NUMBER	SIZE
7204	1/8"
7205	1/4"
7206	3/8"
7207	1/2"
7208	3/4"
7209	1"
7210	1-1/4"
7211	1-1/2"
7212	2"

### 90° Street Elbows




PART NUMBER	SIZE
7248	1/4"
7249	3/8"
7250	1/2"
7251	3/4"
7252	1"
7253	1-1/4"
7254	1-1/2"
7255	2"

### 90° Reducing Elbows



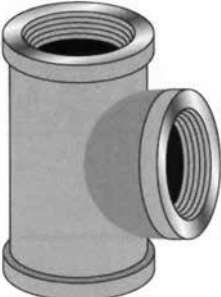
PART NUMBER	SIZE
7221	3/8" x 1/4"
7223	1/2" x 3/8"
7226	3/4" x 1/2"
7228	3/4" x 1/4"
7229	1" x 3/4"

### Extension Pieces



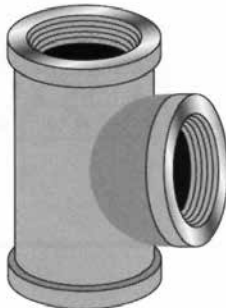
PART NUMBER	SIZE
7527	1/2"

### Tees



PART NUMBER	SIZE
7259	1/8"
7260	1/4"
7261	3/8"
7262	1/2"
7263	3/4"
7264	1"
7265	1-1/4"
7266	1-1/2"
7267	2"

### Reducing Tees



PART NUMBER	SIZE
7292	1/2" x 1/2" x 3/4"
7293	1/2" x 1/2" x 3/8"
7294	1/2" x 1/2" x 1/4"
7303	3/4" x 3/4" x 1/2"
7307	3/4" x 1/2" x 3/4"
7308	3/4" x 1/2" x 1/2"
7315	1" x 1" x 3/4"
7329	1-1/4" x 1-1/4" x 3/4"
7343	1-1/2" x 1-1/2" x 1"
7345	1-1/2" x 1-1/2" x 1/2"



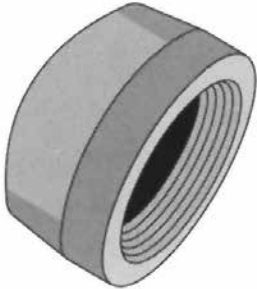
## Red Brass (Bronze) Pipe Fittings

Compliant

AB 1953

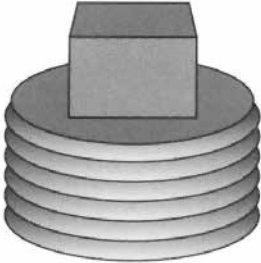
Threaded - 125 pound. **PASCO** Cast Bronze Fittings meet ANSI B16.15-1978 Specification for 125 Pound Thread Fittings

### Caps



PART NUMBER	SIZE
7404	1/8"
7405	1/4"
7406	3/8"
7407	1/2"
7408	3/4"
7409	1"
7410	1-1/4"
7411	1-1/2"
7412	2"

### Square Head Plugs



PART NUMBER	SIZE
7420	1/8"
7421	1/4"
7422	3/8"
7423	1/2"
7424	3/4"
7425	1"
7426	1-1/4"
7427	1-1/2"
7428	2"

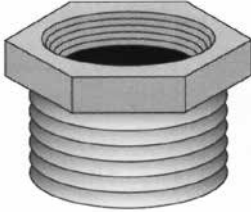
### Drop Ear Elbow



1/2" CWT x 1/2" FPT

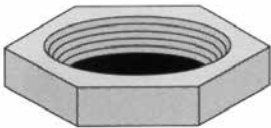
PART NUMBER
7590

### Hex Bushings



PART NUMBER	SIZE
7436	1/4" x 1/8"
7437	3/8" x 1/4"
7439	1/2" x 3/8"
7440	1/2" x 1/4"
7441	1/2" x 1/8"
7442	3/4" x 1/2"
7443	3/4" x 3/8"
7444	3/4" x 1/4"
7445	3/4" x 1/8"
7446	1" x 3/4"
7447	1 x 1/2"
7448	1 x 3/8"
7449	1" x 1/4"
7451	1-1/4" x 1"
7452	1-1/4" x 3/4"
7453	1-1/4" x 1/2"
7457	1-1/2" x 1-1/4"
7458	1-1/2" x 1"
7459	1-1/2" x 3/4"
7460	1-1/2" x 1/2"
7464	2" x 1-1/2"
7465	2" x 1-1/4"
7466	2" x 1"
7467	2" x 3/4"
7468	2" x 1/2"
7473	2-1/2" x 1-1/2"

### Locknuts



PART NUMBER	SIZE
7564	1/2"
7565	3/4"



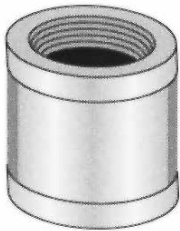
## Chrome Plated Red Brass Fittings

**Compliant**

AB 1953

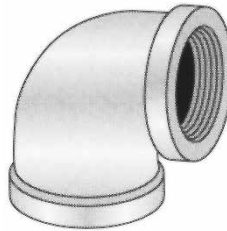
Threaded - 125 pound. **PASCO** Cast Bronze Fittings meet ANSI B16.15-1978 Specification for 125 Pound Thread Fittings

### Couplings



PART NUMBER	SIZE
7102-C	3/8"
7103-C	1/2"
7104-C	3/4"
7105-C	1"

### 90° Elbows



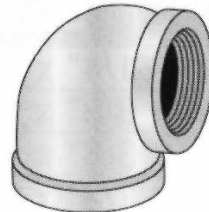
PART NUMBER	SIZE
7206-C	3/8"
7207-C	1/2"
7208-C	3/4"
7209-C	1"

### Reducing Couplings



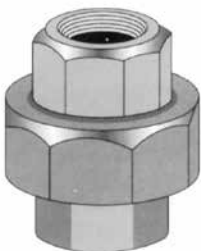
PART NUMBER	SIZE
7123-C	1/2" x 3/8"
7126-C	3/4" x 1/2"

### 90° Reducing Elbows



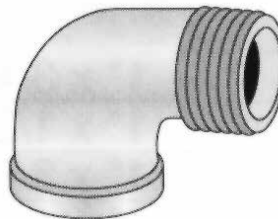
PART NUMBER	SIZE
7223-C	1/2" x 3/8"
7226-C	3/4" x 1/2"

### Unions



PART NUMBER	SIZE
7164-C	3/8"
7165-C	1/2"
7166-C	3/4"

### 90° Street Elbows



PART NUMBER	SIZE
7249-C	3/8"
7250-C	1/2"
7251-C	3/4"
7252-C	1"



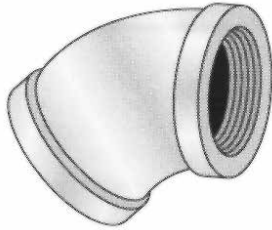
### Chrome Plated Red Brass Fittings

Compliant

AB 1953

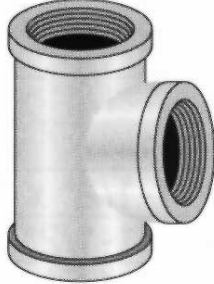
Threaded - 125 pound. **PASCO** Cast Bronze Fittings meet ANSI B16.15-1978 Specification for 125 Pound Thread Fittings

#### 45° Elbows



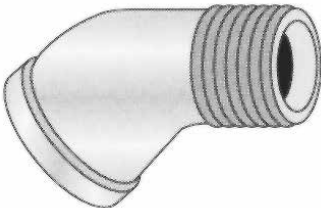
PART NUMBER	SIZE
7176-C	3/8"
7177-C	1/2"
7178-C	3/4"
7179-C	1"

#### Tees



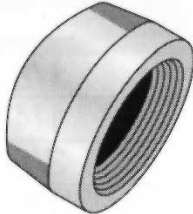
PART NUMBER	SIZE
7261-C	3/8"
7262-C	1/2"
7263-C	3/4"

#### 45° Street Elbows



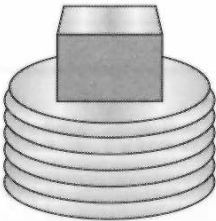
PART NUMBER	SIZE
7192-C	1/2"

#### Caps



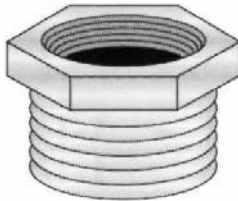
PART NUMBER	SIZE
7406-C	3/8"
7407-C	1/2"
7408-C	3/4"
7409-C	1"

#### Plugs



PART NUMBER	SIZE
7422-C	3/8"
7423-C	1/2"
7424-C	3/4"

#### Hex Bushings



PART NUMBER	SIZE
7437-C	3/8" x 1/4"
7439-C	1/2" x 3/8"
7440-C	1/2" x 1/4"
7442-C	3/4" x 1/2"
7446-C	1" x 3/4"





## Red Brass Nipples

**Compliant**

AB 1953

Each nipple is cleaned of burrs and cutting oil and manufactured in accordance with ASTM B-687.



1/8" PART #	LENGTH
7700	CL
7701	1-1/2"
7702	2"
7703	2-1/2"
7704	3"

1/4" PART #	LENGTH
7717	CL
7718	1-1/2"
7719	2"
7721	3"
7722	3-1/2"
7723	4"
7725	5"
7727	6"

3/8" PART #	LENGTH
7734	CL
7735	1-1/2"
7736	2"
7737	2-1/2"
7738	3"
7739	3-1/2"
7740	4"
7741	4-1/2"
7742	5"
7743	5-1/2"
7744	6"

1/2" PART #	LENGTH
7751	CL
7752	1-1/2"
7753	2"
7754	2-1/2"
7755	3"
7756	3-1/2"
7757	4"
7758	4-1/2"
7759	5"
7760	5-1/2"
7761	6"
7762	6-1/2"
7763	8"
7765	10"
7767	12"

3/4" PART #	LENGTH
7768	CL
7769	1-1/2"
7770	2"
7771	2-1/2"
7772	3"
7773	3-1/2"
7774	4"
7775	4-1/2"
7776	5"
7777	5-1/2"
7778	6"
7780	8"
7782	10"
7784	12"

1" PART #	LENGTH
7785	CL
7786	2"
7787	2-1/2"
7789	3"
7790	3-1/2"
7791	4"
7792	4-1/2"
7793	5"
7794	5-1/2"
7795	6"
7797	8"
7801	12"

1-1/4" PART #	LENGTH
7802	CL
7803	2"
7804	2-1/2"
7805	3"
7806	3-1/2"
7807	4"
7809	5"
7810	5-1/2"
7811	6"
7815	10"
7817	12"

1-1/2" PART #	LENGTH
7818	CL
7819	2"
7820	2-1/2"
7821	3"
7822	3-1/2"
7823	4"
7824	4-1/2"
7825	5"
7826	5-1/2"
7827	6"
7829	8"
7831	10"

2" PART #	LENGTH
7834	CL
7836	3"
7837	3-1/2"
7838	4"
7840	5"
7842	6"





### Chrome Plated Brass Nipples

**Compliant**

AB 1953



1/4" PART #	LENGTH
7717-C	CL
7725-C	5"

3/8" PART #	LENGTH
7734-C	CL
7735-C	1-1/2"
7736-C	2"
7737-C	2-1/2"
7738-C	3"
7739-C	3-1/2"
7740-C	4"
7741-C	4-1/2"
7742-C	5"
7743-C	5-1/2"
7744-C	6"

1/2" PART #	LENGTH
7751-C	CL
7752-C	1-1/2"
7753-C	2"
7754-C	2-1/2"
7755-C	3"
7756-C	3-1/2"
7757-C	4"
7758-C	4-1/2"
7759-C	5"
7760-C	5-1/2"
7761-C	6"
7763-C	8"
7765-C	10"
7767-C	12"

3/4" PART #	LENGTH
7768-C	CL
7769-C	1-1/2"
7770-C	2"
7771-C	2-1/2"
7772-C	3"
7773-C	3-1/2"
7774-C	4"
7775-C	4-1/2"
7776-C	5"
7777-C	5-1/2"
7778-C	6"

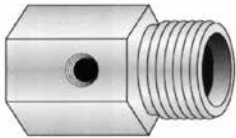
1" PART #	LENGTH
7785-C	CL
7786-C	2"
7787-C	2-1/2"
7789-C	3"
7790-C	3-1/2"
7791-C	4"
7792-C	4-1/2"
7793-C	5"
7794-C	5-1/2"
7795-C	6"

## Brass Hose to Pipe Adapters

MHT = Male Hose Threads  
MPT = Male Pipe Threads

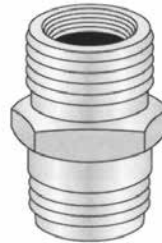
FHT = Female Hose Threads  
FPT = Female Pipe Threads

### Evaporative Cooler Adapter



PART NUMBER	FPT	MPT	FPT SIDE TAP
7-3098	1/2"	1/2"	1/8"
7-30912	3/4"	3/4"	1/8"

### Male Hose - Male Pipe



Tapped 1/2" FPT inside  
3/4" MPT.

PART NUMBER	MHT	MPT
2140	3/4"	3/4"

### Female Swivel



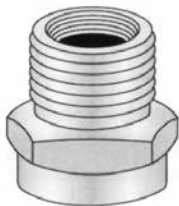
PART NUMBER	FHT SWIVEL	FPT
2141	3/4"	1/2"
2142	3/4"	3/4"
2154	3/4"	1/2" MPT

### Female Hose - Female Pipe



PART NUMBER	FHT	FPT
2147	3/4"	1/2"
2148	3/4"	3/4"

### Female Hose - Male Pipe



Tapped 1/2" FPT inside  
3/4" MPT.

PART NUMBER	FHT	MPT
2150	3/4"	3/4"

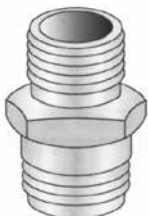
### Male Hose (both ends) - Female Pipe



One end tapped 1/2" FPT.

PART NUMBER	MHT	FPT
2151	3/4"	1/2"

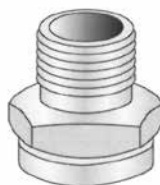
### Male Hose - Male Pipe



The 1/2" copper connection is inside  
the 1/2" MPT.

PART NUMBER	MHT	MPT	FEMALE COPPER SWEAT
2143	3/4"	1/2"	1/2"

### Female Hose - Male Pipe



The 1/2" copper connection is inside  
the 1/2" MPT.

PART NUMBER	FHT	MPT	FEMALE COPPER SWEAT
2144	3/4"	1/2"	1/2"



### Brass Hose to Pipe Adapters

MHT = Male Hose Threads  
MPT = Male Pipe Threads

FHT = Female Hose Threads  
FPT = Female Pipe Threads

#### Evaporative Cooler Drain



With washer and locknut

PART NUMBER	MHT	FPT
2145	3/4"	1/2"

#### Hose Wye - Female Hose - Male Hose



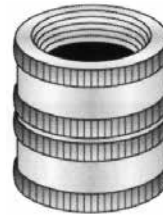
PART NUMBER	MHT	MHT	FHT
2156	3/4"	3/4"	3/4"

#### Male Hose - Female Pipe



PART NUMBER	MHT	FPT
2146	3/4"	3/4"

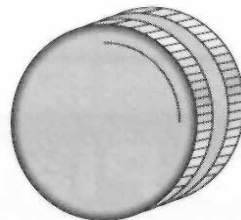
#### Dual Swivel - Female Hose



PART NUMBER	FHT	FHT
2153	3/4"	3/4"

#### Hose Cap

Also available with chain\*  
Supplied with washer



PART NUMBER	FHT
2152	3/4"
2159*	3/4"



## Brass Flare & Compression Fittings

**Compliant**

AB 1953

### 60 Series

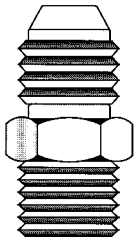
Brass Compression Sleeve



PART NUMBER	SIZE
7-604	1/4"
7-606	3/8"
7-6010	5/8"

### 48 Series

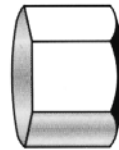
Flare x MIP Coupling



PART NUMBER	SIZE
7-4844	1/4"
7-4868	3/8" x 1/2"

### 61-C Series

Compression Cap/Short Compression Nut

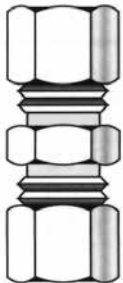


\*Short Nut

PART NUMBER	SIZE
7-61C4	1/4"
7-61C6	3/8"
*7-614	1/4"
*7-616	3/8"

### 62 Series

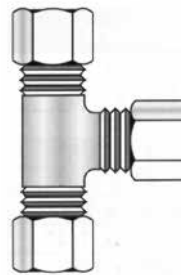
Compression Union



PART NUMBER	SIZE
7-624	1/4"
7-626	3/8"
7-6264	3/8" x 1/4"
7-628	1/2"
7-6286	1/2" X 3/8"
7-6210	5/8"
7-6214	7/8"
7-62106	5/8" X 3/8"

### 64 Series

Compression Tees



PART NUMBER	SIZE
7-644	1/4"
7-646	3/8"
7-6410	5/8"

#### Two piece: body and nut.

Straights and shapes are manufactured from CA360, CA345, CA377 brass. 45° flare. Heavy duty flare fittings are manufactured to SAE specifications. Compatible with copper, brass, aluminum and steel hydraulic tubing that can be flared. Used on low, medium and high pressure lines under the most adverse conditions. Fair vibration resistance, The long nut offers greater support. Temperature range from -65° to +250° F.

#### Three piece unit: body, nut and sleeve.

Straights and shapes are manufactured from CA360, CA345, CA377. Compatible with copper, brass, aluminum and thermoplastic tubing. (Thermoplastic tubing requires the use of a brass insert for support.) Low pressure air, oil, water and gas up to a maximum pressure of 400 psi. Fair vibration resistance. The long nut can be used for greater vibration application.



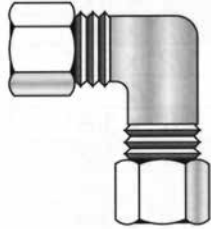
**Brass Flare & Compression Fittings**

**Compliant**

AB 1953

**65 Series**

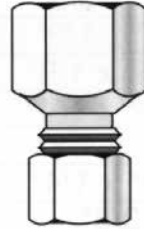
Compression 90° Ell



PART NUMBER	SIZE
7-656	3/8"

**66 Series**

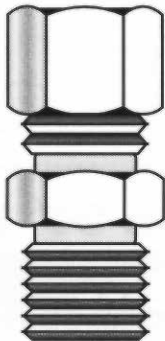
Compression x FIP Coupling



PART NUMBER	SIZE
7-6666	3/8"
7-6668	3/8" x 1/2"
7-6688	1/2"
7-66108	5/8" x 1/2"

**68 Series**

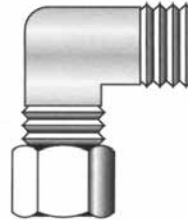
Compression x MIP Coupling



PART NUMBER	SIZE
7-6842	1/4" x 1/8"
7-6844	1/4"
7-6846	1/4" x 3/8"
7-6848	1/4" x 1/2"
7-6864	3/8" x 1/4"
7-6866	3/8"
7-6868	3/8" x 1/2"
7-6888	1/2"
7-68106	5/8" x 3/8"
7-68108	5/8" x 1/2"
7-681012	5/8" x 3/4"
7-681412	7/8" x 3/4"

**69 Series**

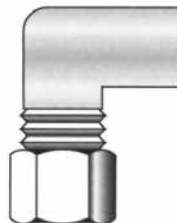
Compression x MIP 90° Ell



PART NUMBER	SIZE
7-6964	3/8" x 1/4"
7-6966	3/8"
7-6968	3/8" x 1/2"

**70 Series**

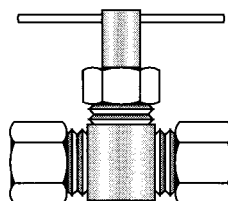
Compression x FIP 90° Ell



PART NUMBER	SIZE
7-7068	3/8" x 1/2"

**78 Series**

Compression x Compression Needle Valve



PART NUMBER	SIZE
7-7834	1/4"
7-7836	3/8"



## Spring Bottom Brass Shut-Off Valves

Small Diameters - Rated 30 PSIG

Features:

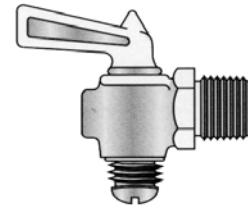
- Instantaneous On/Off operation
- Forged brass body
- 360° rotation standard for water
- Oil and air systems
- 40° to 250°F
- Highest quality valve of its kind

### Female x Male Pipe



PART NUMBER	FPT	MPT
7900	1/8"	1/8"
7901	1/4"	1/4"

### Drain Valve - 30 PSI



Valve shown in open position

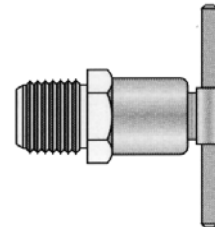
PART NUMBER	SIZE
7941	1/4"

### Female x Female Pipe



PART NUMBER	FPT	FPT
7907	1/4"	1/4"

### T-Handle Drain Valve



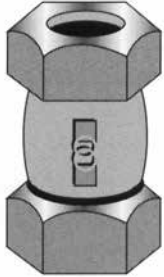
PART NUMBER	SIZE
7948	1/4"

Do not use with liquified petroleum, natural gas, oxygen or similar explosive or combustible mediums.

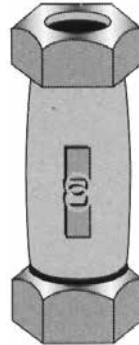


**Steel Compression Couplings**

These couplings are intended for temporary repair.  
Do not use on hot water, steam, oxygen, petroleum or similar explosive or combustible mediums.

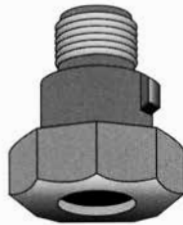


PART NUMBER	IPS	LENGTH
2900	1/2"	2-5/8"
2901	3/4"	2-3/4"
2902	1"	3-1/8"
2903	1-1/4"	3-1/4"
2904	1-1/2"	3-3/8"
2905	2"	3-5/8"
2906	2-1/2"	4-3/8"



PART NUMBER	IPS	LENGTH
2908	1/2"	3-3/4"
2909	3/4"	4"
2910	1"	4-1/4"
2911	1-1/4"	4-3/4"
2912	1-1/2"	5"
2913	2"	5-3/8"

**Male x Compression**



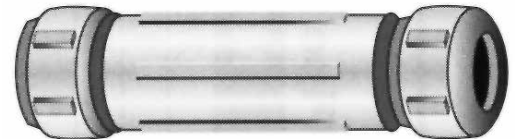
PART NUMBER	IPS
2950	1/2"
2951	3/4"

**Brass Compression Couplings**

These couplings are intended for temporary repair.  
Do not use on hot water, steam, oxygen, petroleum or similar explosive or combustible mediums.



PART NUMBER	CWT	IPS	LENGTH
2916	1/2"	3/8"	2-9/16"
2917	3/4"	1/2"	2-3/4"
2918	1"	3/4"	3"
2919	1-1/4"	1"	3"
2920	1-1/2"	1-1/4"	3-1/4"
2927	—	1-1/2"	3-1/2"

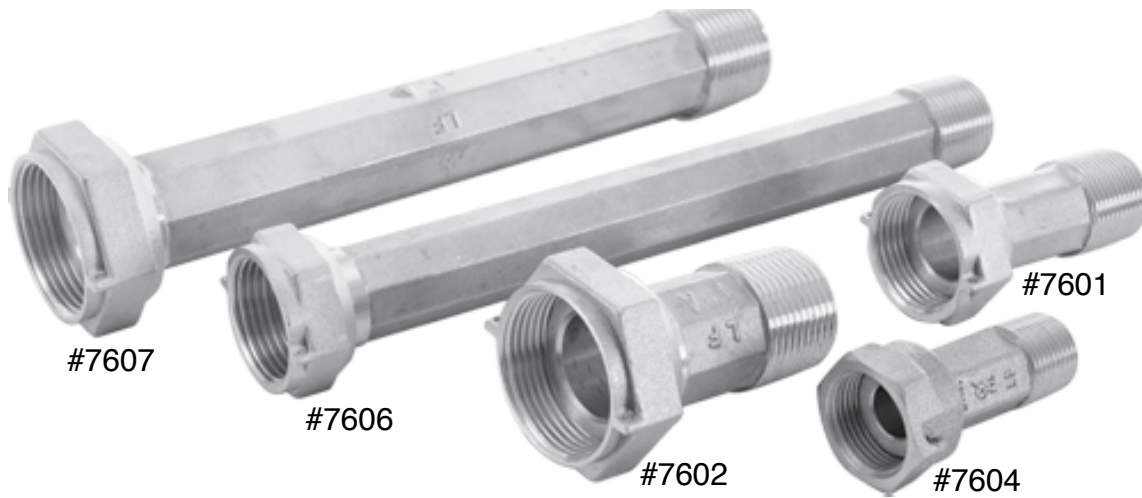


PART NUMBER	CWT	IPS	LENGTH
2921	1/2"	3/8"	5"
2922	3/4"	1/2"	5"
2923	1"	3/4"	5"
2924	1-1/4"	1"	5"
2925	1-1/2"	1-1/4"	5"
2926	2"	—	5"
2929	—	1-1/2"	5"
2930	—	2"	5"



## Red Brass Water Meter Couplings

**Compliant**   
AB 1953



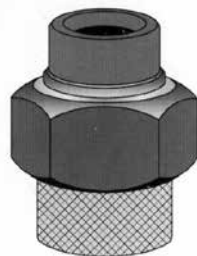
Sold individually w/ washers

PART NUMBER	SIZE
7601	1" x 3/4" x 2.57"
7602	1-1/4" x 1" x 2.60"
7604	5/8" x 1/2" x 2.38"
7606	1" x 3/4" x 8.50"
7607	1-1/4" x 1" x 8.50"

Washers Only

PART NUMBER	SIZE
7608	3/4"
7609	1"

## Dielectric Unions - Steel



PART NUMBER	SIZE
2592	1/2"
2594	3/4"
2596	1"
2597	1-1/4"
2598	1-1/2"
2599	2"

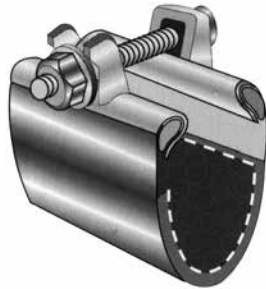


### Stainless Steel Repair Clamps

Stainless Steel Band, Neoprene Gaskets, Plated Steel Bolt, Nut & Washer. Temporarily Repairs & Split Pipe Fits Steel, Galvanized, and Copper

#### One Bolt Type

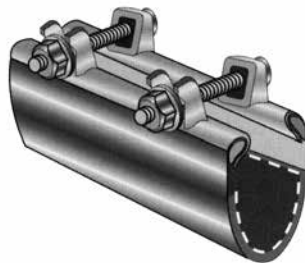
3" Length



PART NUMBER	IPS
2660	1/2"
2661	3/4"
2662	1"
2663	1-1/4"
2664	1-1/2"
2665	2"
2666	2-1/2"
2667	3"
2669	4"

#### Two Bolt Type

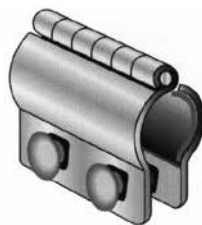
6" Length



PART NUMBER	IPS
2674	1/2"
2675	3/4"
2676	1"
2677	1-1/4"
2678	1-1/2"
2679	2"
2680	2-1/2"
2681	3"
2683	4"

#### Repair Clamps

- Hinge Type-Economical
- Plated steel, supplied with gasket



PART NUMBER	IPS
1680	1/2"
1681	3/4"
1682	1"