

# ON-GRADE ADJUSTABLE FLOOR DRAIN

## 842 SERIES

### SPECIFICATION

Sioux Chief 842 Series adjustable floor drain shall be used where necessary in drainage systems. Floor drain shall have a Sch. 40 hub connection, which conforms to ASTM D2665 (PVC) or D2661 (ABS). Connection to drainage system shall be made with a solvent weld joint to ABS/PVC pipe. Strainer of floor drain shall fasten into female threaded brass inserts. Strainer shall be heel-proof and meet applicable load requirements for intended use. Trap primer port shall be threaded 1/2" FIP for knockout connection.

### MATERIALS

**Ring/strainer:** nickel-bronze, 301 stainless steel

**Top housing:** ABS with threaded brass inserts

**Adapter body:** ABS or PVC

### STRAINER LOAD RATING

**Nickel-bronze:** 1,000 lbs. (light duty, pedestrian traffic)

**Stainless steel:** 2,000 lbs. (light duty, pedestrian traffic)

### STRAINER FREE AREA

**2" drain:** 12.75 in<sup>2</sup>

**3" drain (standard top):** 12.75 in<sup>2</sup>

**3" drain (large top):** 16.4 in<sup>2</sup>

**4" drain:** 16.4 in<sup>2</sup>

### DIMENSIONS

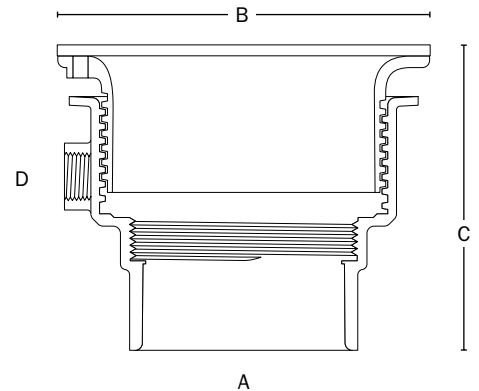
- A:** Connection size            2" x 3", 3" x 4", or 4" Sch. 40 hub\*
- B:** Top diameter
- 2" drain:                    5 7/8"
- 3" drain (standard top): 5 7/8"
- 3" drain (large top):     7"
- 4" drain:                    7"
- C:** Overall height
- 2" drain:                    4 3/8" – 5 1/8"
- 3" drain (standard top): 4 3/8" – 5 1/8"
- 3" drain (large top):     5 1/8" – 6 1/4"
- 4" drain:                    5 3/8" – 6 1/2"
- D:** Trap primer port            1/2" FIP thread for knockout connection

\*Adapters fit over 2" /inside 3" pipe, or over 3"/ inside 4" pipe

ITEM # SUBMITTED	_____
JOB NAME	_____
LOCATION	_____
ENGINEER	_____
CONTRACTOR	_____
PO#	_____ TAG _____



842-3PNQ



### Create Item Number

## 842-ABCD

e.g. **842-3PNQ:** 3" PVC drain with square nickel-bronze strainer and ring

#### CONNECTION A

- 2** = 2" Sch. 40 hub
- 3** = 3" Sch. 40 hub (standard top)
- 36** = 3" Sch. 40 hub (large top)
- 4** = 4" Sch. 40 hub

#### ADAPTER B

- A** = ABS adapter
- P** = PVC adapter

#### RING & STRAINER C

- NQ** = Square nickel-bronze
- SQ** = Square stainless steel

#### OPTIONS D

- V** = Vandal-resistant strainer screws
- H** = Hinged strainer<sup>1</sup>
- Y** = Ductile iron head in place of ABS

#### Available Separately:

- 863-FA Aluminum condensate funnel
- 863-FN Nickel condensate funnel
- 863-FNO Oval nickel condensate funnel
- 842-UM 4 3/8" stainless steel sediment screen<sup>1</sup>

<sup>1</sup>Use with 842-4\_ or 842-36\_ only