



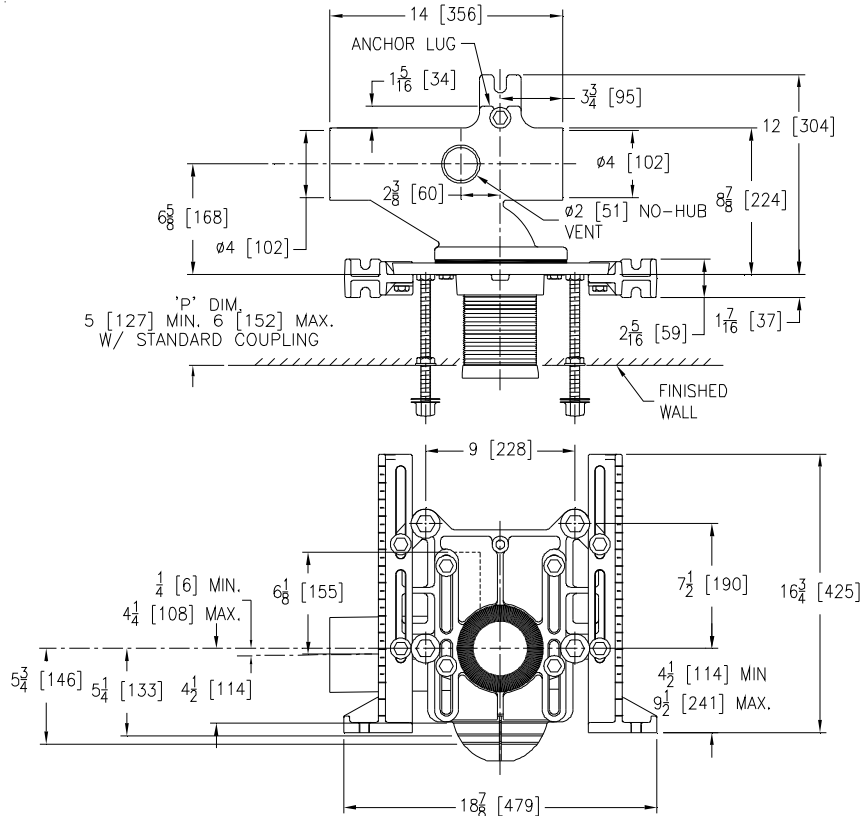
# Z1203-N

## ADJUSTABLE HORIZONTAL SIPHON JET NO-HUB

SPECIFICATION SHEET

TAG \_\_\_\_\_

Dimensional Data (inches and [ mm ]) are Subject to Manufacturing Tolerances and Change Without Notice



Product Number	Approx. Wt. Lbs. [kg]
Z1203-NL4	67 [30]
Z1203-NR4	

**Note:**

1. Min. 'P' Dim. Obtainable=2 [51]
2. Feet bolted to floor using min. 1/2 [13] dia. bolts and back slots on carrier feet.
3. Back anchor foot required for secure installation.

**ENGINEERING SPECIFICATION:** ZURN Z1203-N( ) Adjustable, horizontal siphon jet water closet "Rigid System" with 4 [102] No-Hub connections. Complete with Dura-Coated cast iron right hand, left hand, or double main fitting, with 2 [51] vent, adjustable gasketed faceplate, universal floor mounted foot supports, corrosion resistant adjustable ABS coupling with integral test cap, fixture bolts, trim, and stud protectors. Rear anchor tie down and bonded "Neo-Seal" gasket.

**OPTIONS** (Check/specify appropriate options)

- Z1203-NR4    4 [102] No-Hub Right Hand Inlet with Flow to Left  
 Z1203-NL4    4 [102] No-Hub Left Hand Inlet with Flow to Right

**PREFIXES**

- \_\_\_ Z    D.C.C.I. System with Zurn "ZZ" Adjustable Coupling\*  
 \_\_\_ ZC    D.C.C.I. System with Compression Fit Faceplate  
 \_\_\_ ZF    D.C.C.I. System with Non-Adjustable One Piece Carrier  
 \_\_\_ ZQ    D.C.C.I. System with NPT Faceplate, Non-Adjustable Coupling

**SUFFIXES**

- |   |   |
|---|---|
| <p>___ -A    Auxiliary Support Assembly<br/>         (For 'P' Dim. Greater than 18 [457])<br/>         ___ -B    Blowout Type Fixture Support<br/>         ___ -BC    Back Cleanout<br/>         ___ -BE    Barrel Extender (Up to 26 [660], Overall length of 40 [1016])<br/>         ___ -CC    Corrosion Resistant Cast Iron Coupling<br/>         (6 [151] to 12 [305])<br/>         ___ -CL    Coupling Length Greater Than 12 [305]<br/>         (Specified Length Required)<br/>         ___ -CV    Closed Vent (Use only when local codes allow)<br/>         ___ -F    Floor Mounted, Back Outlet Fixture Support<br/>         ___ -G    Galvanized Cast Iron<br/>         ___ -JC    2-Inch Auxiliary Inlet with Sanitary Sweep on<br/>         Faceplate Centerline<br/>         ___ -M    Auxiliary Foot Support (for 'P' Dim. 10 [254] - 18 [457])</p> | <p>___ -PF    Pre-Fab Foot<br/>         ___ -PS    Pre-Fab Slotted Foot<br/>         ___ -RYK    Unistrut Pre-Fab Foot<br/>         ___ -T    Threaded Connection<br/>         ___ -VP    Vandal-Proof Trim<br/>         ___ -X3    3 [76] Carrier Foot Extension Assembly<br/>         ___ -X4    4 [102] Carrier Foot Extension Assembly<br/>         ___ -29    Mechanical Test Cap Assembly<br/>         ___ -45    Finishing Frame for Siphon Jet System<br/>         (for Blowout System specify -45-B)<br/>         ___ -50    Flush Valve Supply Support for Water Closets<br/>         ___ -61    "ZZ" Coupling Wrench</p> |
|---|---|

\*REGULARLY FURNISHED UNLESS OTHERWISE SPECIFIED

<b>REV. J</b>	<b>DATE: 2/10/11</b>	<b>C.N. NO. 120628</b>
<b>DWG. NO. 59268</b>		<b>PRODUCT NO. Z1203-N</b>