



**Dearborn®  
Brass**

4675 W. 160th St.  
Cleveland, Ohio 44135  
Ph: (800) 321-9532  
Fax: (800) 321-9535  
www.dearbornbrass.com

**SUBMITTAL SPECIFICATION**

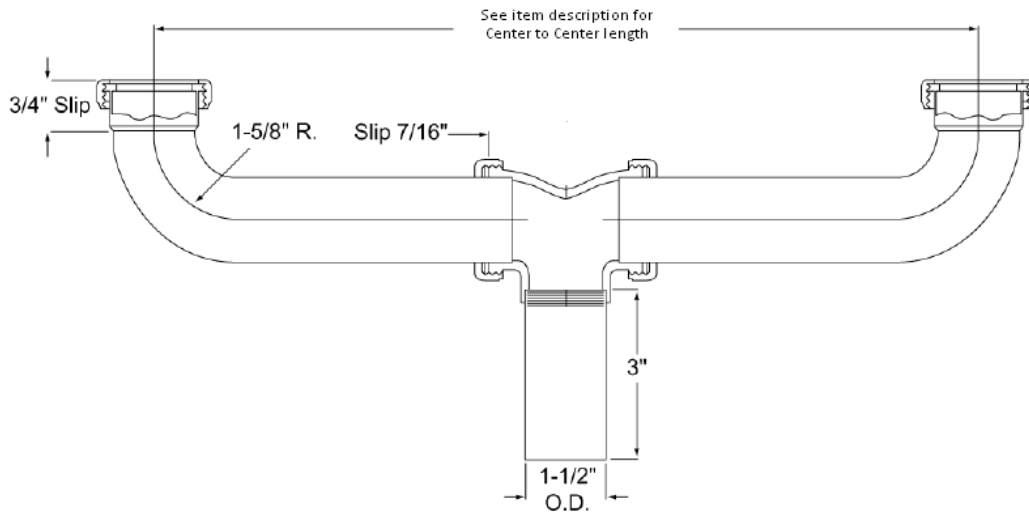
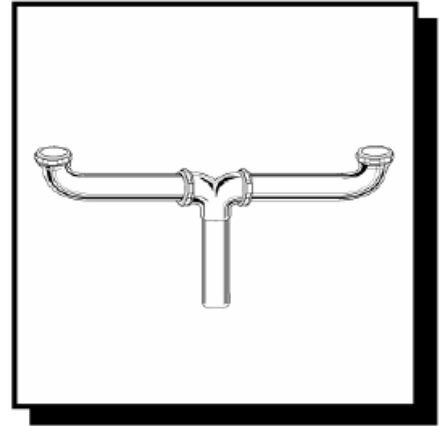
**BRASS TUBULAR  
1-½" CENTER OUTLET WASTE  
WITH SLIP JOINT CONNECTION**

**Engineering Specification:** Dearborn Brass 1-½" Brass Tubular Center Outlet Waste with Slip Joint Connection is designed for use in tubular drain applications. Available in 17, 20 or Budget Gauge Brass. Options include 16" or 21" lengths and Baffle Tee.

**Job Reference**

**DESCRIPTION**

- Chrome Finish
- Center Outlet Waste
  - (2) Waste Arms
  - Tailpiece
  - Center Outlet Tee
  - (4) Zinc Nuts
  - (4) Rubber Washers



✓	Product No.	Description	Carton Quantity	Carton Weight (lbs)
	2114A-1	1-½" x 16" Center to Center, Slip Joint – Budget Gauge	5	8
	114A-1	1-½" x 16" Center to Center, Slip Joint – 20 Gauge	5	9
	114B-1	1-½" x 21" Center to Center, Slip Joint – 20 Gauge	5	11
	117A-1	1-½" x 16" Center to Center, Slip Joint – 17 Gauge	5	10
	79A-1	1-½" x 16" Center to Center, Slip Joint – 20 Gauge – with Baffle Tee	5	11

Data is subject to manufacturing tolerances.