

### Features

- Flipstream® technology uses a single sprayhead for four unique, experiential spray patterns; Koverage™, Kotton™, Komotion™, and Kurrent™.
- Changing sprays is as easy as turning the head on its axis.
- 1.75 gpm (6.6 lpm) maximum flow rate.

### Installation

- 1/2 -14 NPT connection.
- Shower arm and flange sold separately.

### Water Conservation & Rebates

- This product can help a building earn Water Efficiency points in LEED® Green Building Rating System.

### Recommended Products/Accessories

K-7395 Shower Arm and Flange  
K-23723 Faucet cleaner



### Codes/Standards



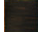
ASME A112.18.1/CSA B125.1  
DOE - Energy Policy Act 1992  
EPA WaterSense®  
California Energy Commission (CEC)

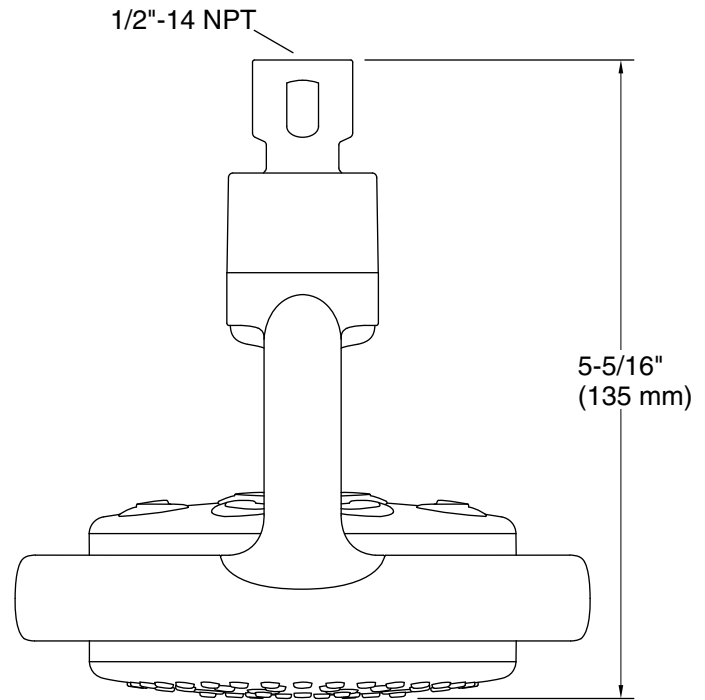
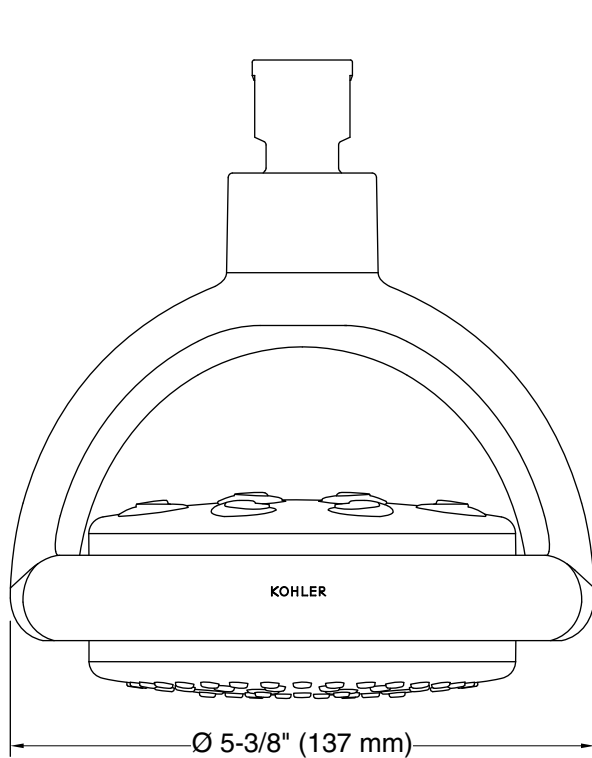
### KOHLER® Faucet Lifetime Limited Warranty

See website for detailed warranty information.

### Available Colors/Finishes

*Color tiles intended for reference only.*

Color	Code	Description
	CP	Polished Chrome
	SN	Vibrant® Polished Nickel
	BN	Vibrant® Brushed Nickel
	2BZ	Oil-Rubbed Bronze



### Technical Information

All product dimensions are nominal.

### Handshower:

Rated maximum flow: 1.75 gal/min (6.6 l/min)

### Notes

Install this product according to the installation instructions.