



# Embra™ by Studio McGee

Two-light sconce  
K-32253-SC02

## Features

- Designed in collaboration with Studio McGee
- Globular glass shades extend from rods with flared metal detail in elegant transitional designs suited for any room
- Requires bulbs with medium (E26) base; type A19 bulb recommended (sold separately)
- Suitable for damp locations, per UL 1598
- Includes installation hardware
- Coordinates with other products in the Embra collection

## Material

- Premium metal and glass construction
- Manufactured with quality materials and complemented with a meticulous finishing process
- Durable finishes engineered to last and designed to coordinate with KOHLER faucet finishes



## Codes/Standards

UL 1598  
CSA C22.2 No. 250.0

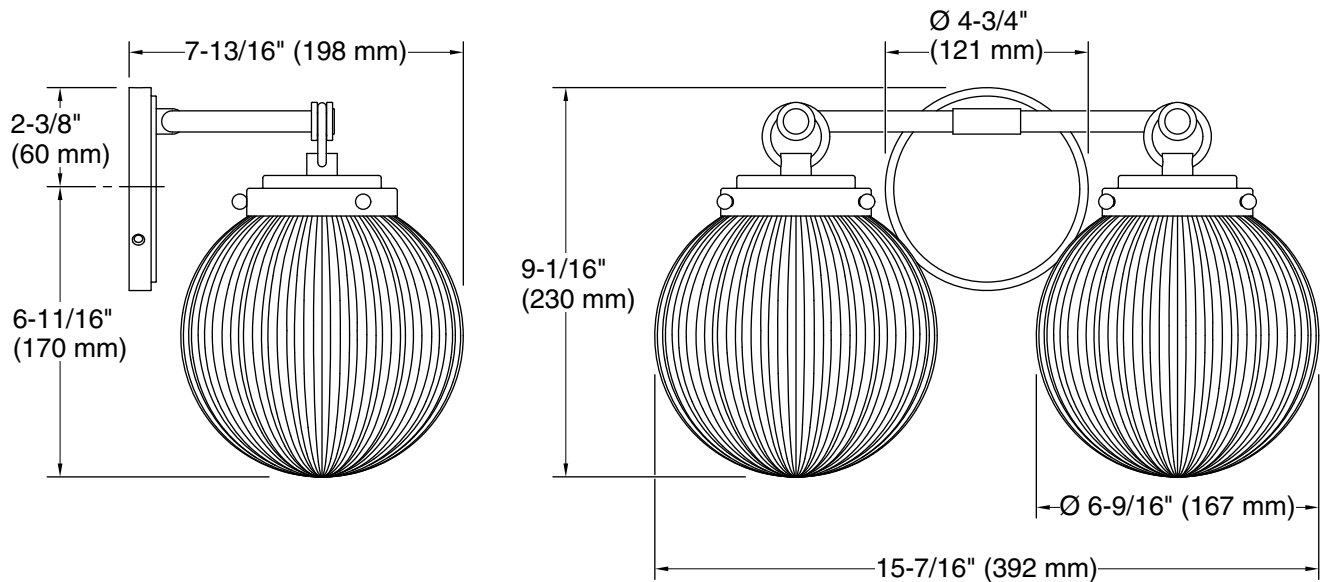
## KOHLER® Indoor Lighting Fixtures Limited Warranty

See website for detailed warranty information.

## Available Colors/Finishes

*Color tiles intended for reference only.*

Color	Code	Description
	SNL	Polished Nickel
	BNL	Brushed Nickel
	CPL	Polished Chrome
	BLL	Matte Black
	2GL	Brushed Moderne Brass



### Required Electrical Service

One circuit required.

120 V, 0.666 A, 60 Hz

### Notes

Install this product according to the installation instructions.

### Technical Information

All product dimensions are nominal.

Material: Steel, Glass, Brass

Number of Lights: 2

Lighting Type: Socket-based

Socket Type: E-26 Medium

Number of Shades: 2

Shade Type: Clear Glass

Hanging Type: Non-hanging