

EZ PIPE MANIFOLDS



Primary / Secondary Piping Manifold

251-063B

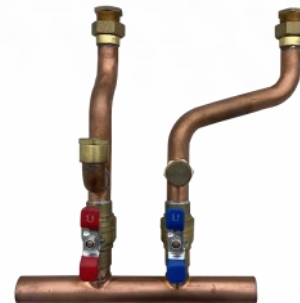
SFC 125 | SFC 125-1 | HC Series | DC Series

251-064B

SFC 199 | SFC 199-1

Custom manifolds comes "Installation Ready" and ensure proper flow through the boiler for maximum system performance without call-backs.

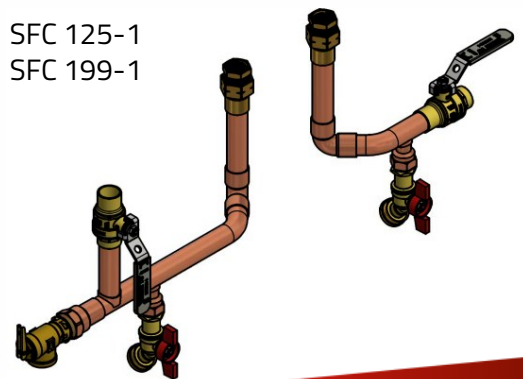
- Plug n' play
- Time saving
- Uniform look
- Consistence performance
- Excellent Quality - Copper and brass construction
- Pressure tested to ensure a leak free installation
- Ball valves allow for easy maintenance



Domestic Hot Water Piping Manifold

190-307

SFC 125 | SFC 125-1
SFC 199 | SFC 199-1



**SAVE TIME
SAVE MONEY**

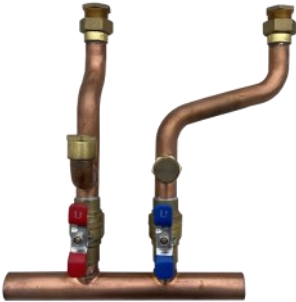
IBC[®]

EZ PIPE MANIFOLDS

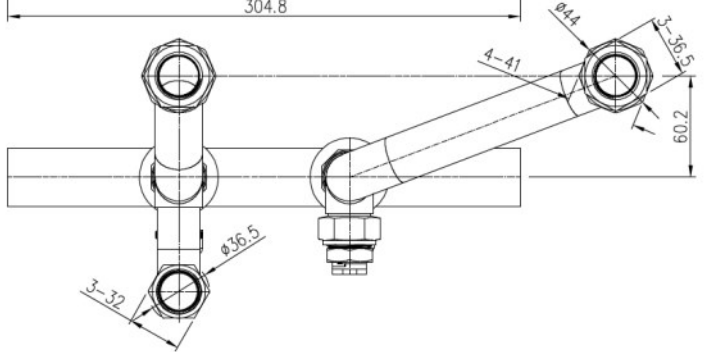
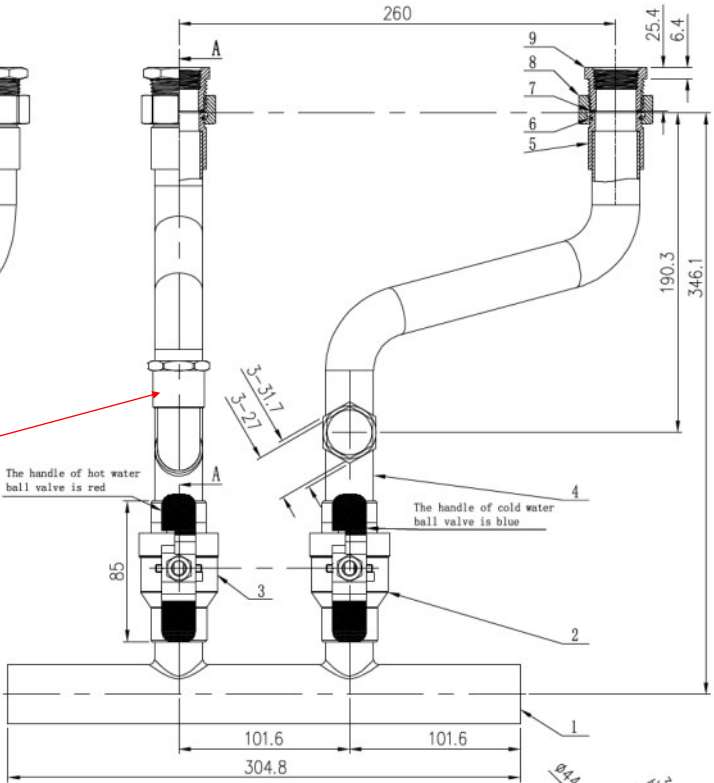
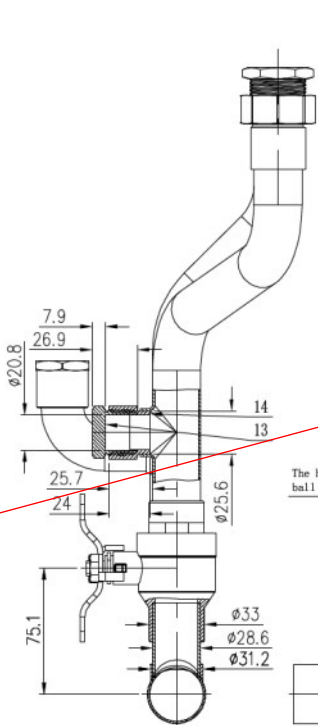
Primary Secondary Piping Manifold

251-063B

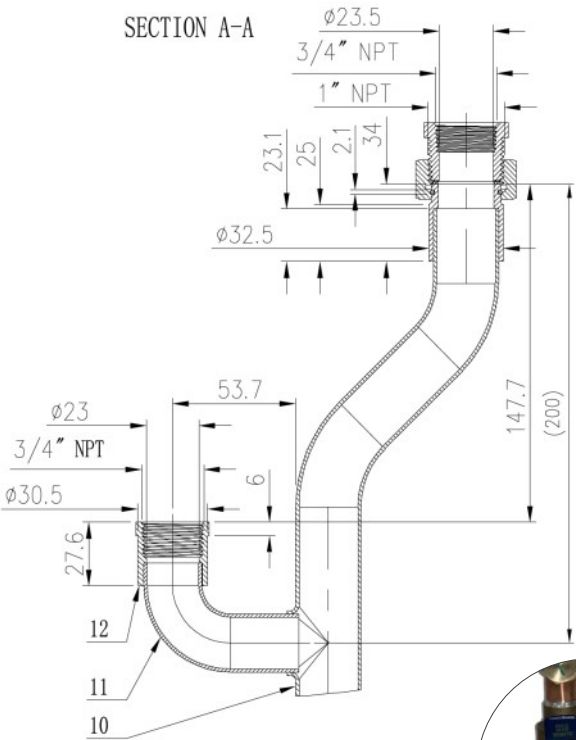
SFC 125 | SFC 125-1 | HC Series | DC Series



Relief valve connection reconfigured to enable 251-063B to also be used on the SFC 125 & HC/DC Series



SECTION A-A



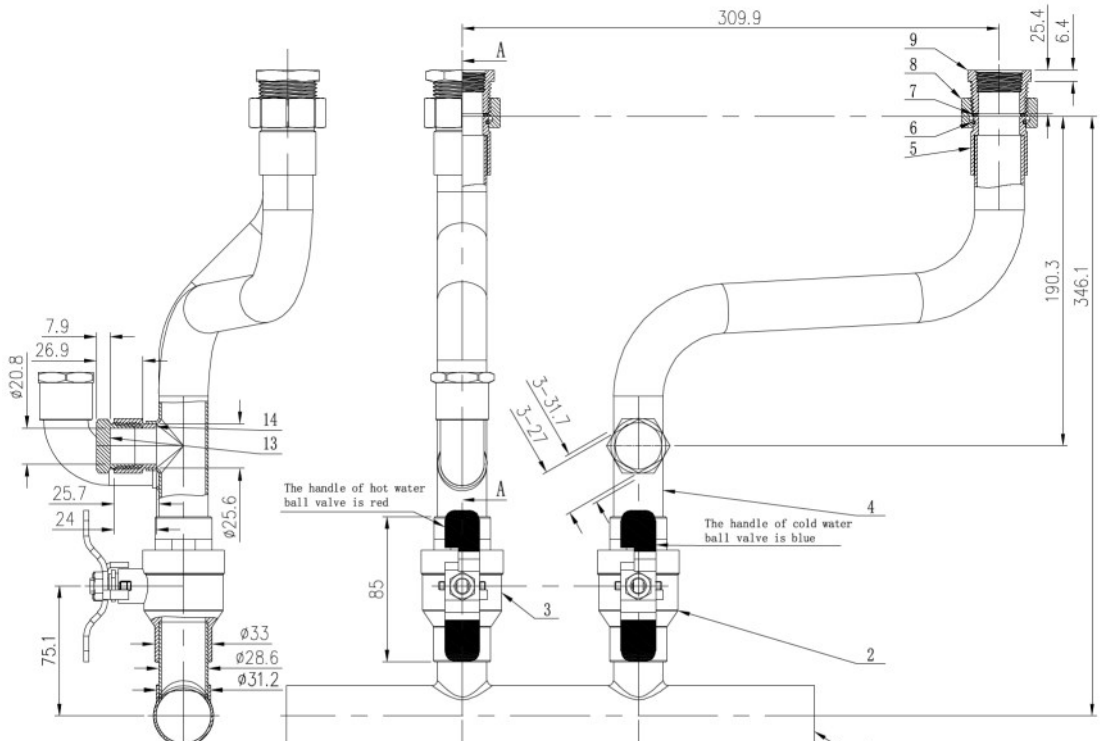
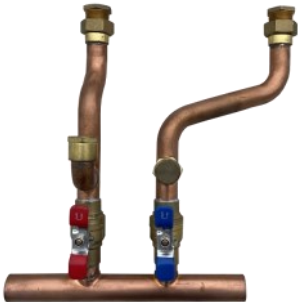
2 x EZ Pipe gaskets included

SAVE TIME
SAVE MONEY

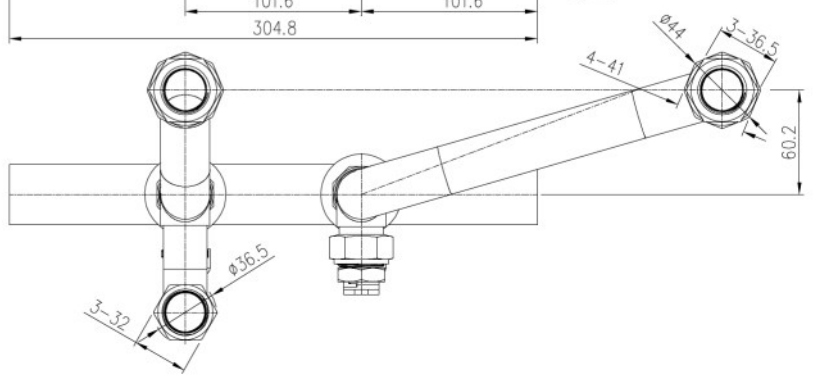
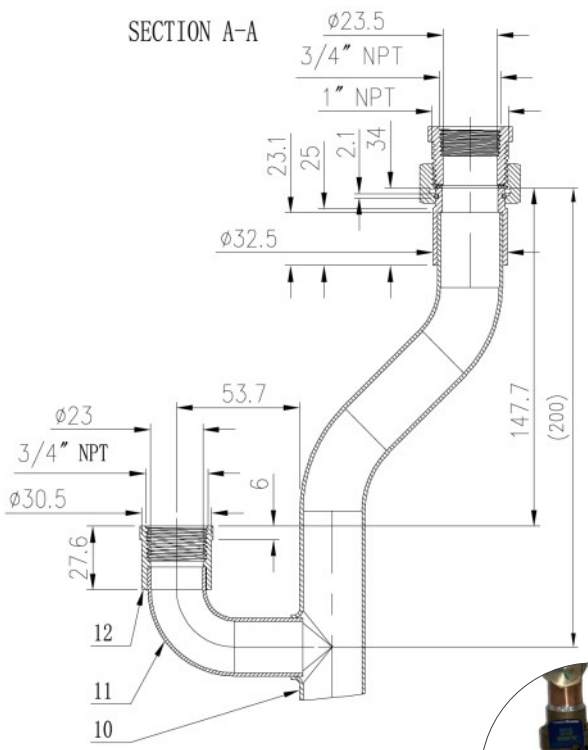
EZ PIPE MANIFOLDS

Primary Secondary Piping Manifold

251-064B
SFC 199/SFC 199-1



SECTION A-A



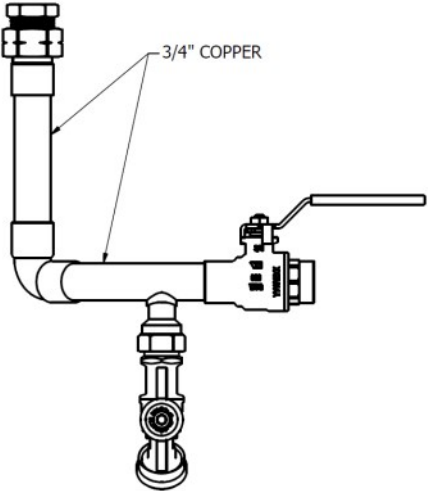
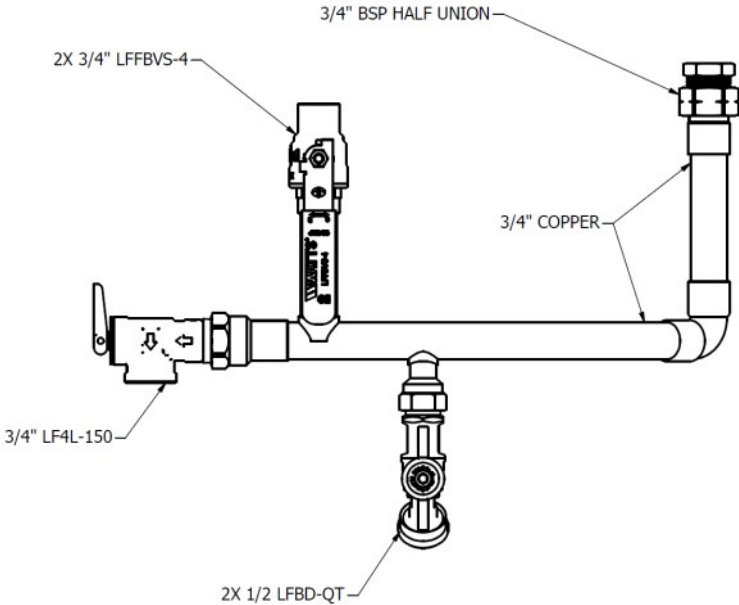
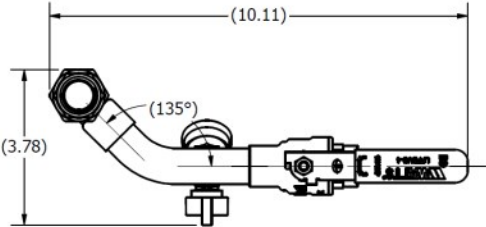
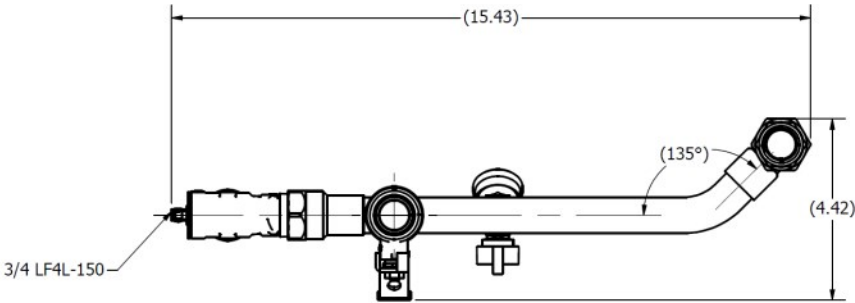
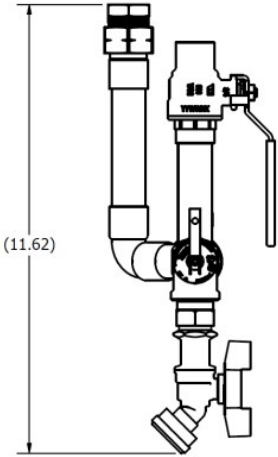
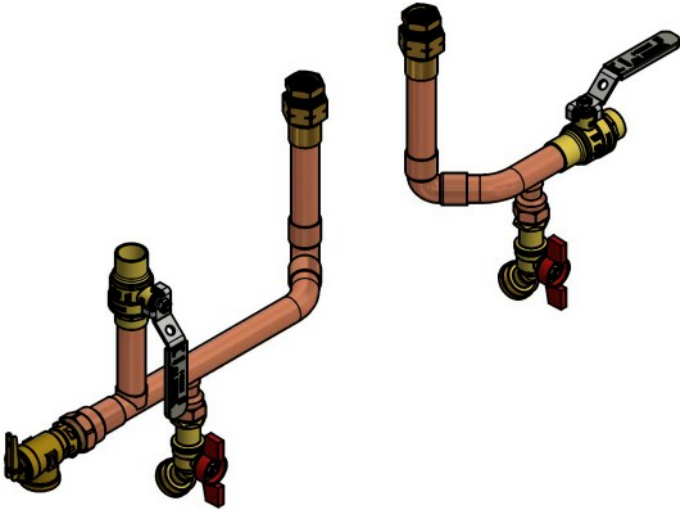
2 x EZ Pipe gaskets included

SAVE TIME
SAVE MONEY

EZ PIPE MANIFOLDS

Domestic Hot/Cold Manifold

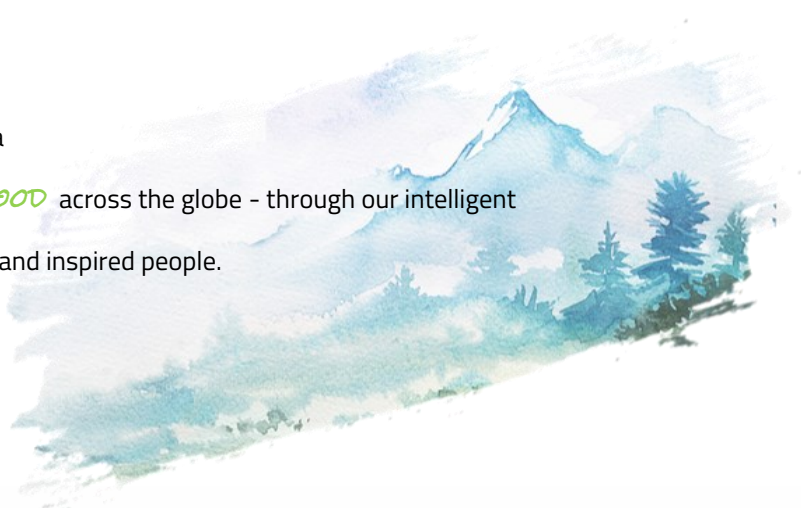
190-307
SFC 125 | SFC 125-1 | SFC 199 | SFC 199-1



**SAVE TIME
SAVE MONEY**



We are committed to delivering a *GREATER DEGREE OF GOOD* across the globe - through our intelligent products, responsible processes and inspired people.



sales@ibcboiler.com ▪ www.ibcboiler.com
Toll Free: 1-844-HEAT IBC / 1-844-432-8422

IBC[®]

All information contained in this brochure is subject to change without notice. Due to clerical error, regulation change or product development please confirm all information with IBC.

900-363 (R3)