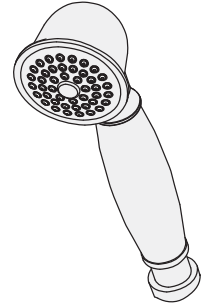
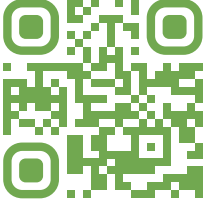



Location:



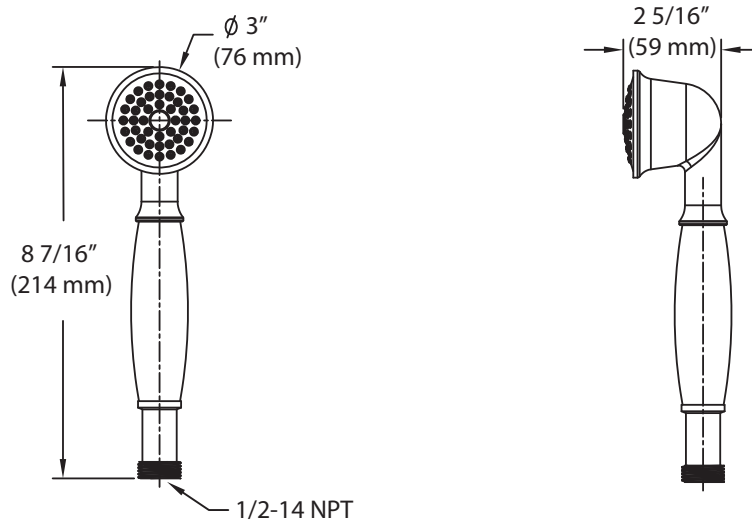
462W  
Hand Shower Wand  
**Specification Submittal**

<b>Model Numbers</b>	<b>Feature Highlights</b>
<input type="checkbox"/> <b>462W</b> Hand shower wand	<ul style="list-style-type: none"> <li>• Single mode hand shower wand</li> <li>• Flow rate 2.0 gpm (7.6 L/min)</li> <li>• Optional lower flow rates</li> <li>• Polished chrome finish (standard)</li> </ul>
<b>Options/ Modifications</b>	
<input type="checkbox"/> <b>1.5</b> <b>1.5 gpm (5.7 L/min) flow restrictor</b>	<b>Warranty</b>
<input type="checkbox"/> <b>STN</b> <b>Satin Nickel finish</b>	<p><b>Limited Lifetime</b> - to the original end purchaser in consumer/residential installations.  <b>10 Years</b> - for commercial/industrial installations. Refer to <a href="http://www.symmons.com/warranty">www.symmons.com/warranty</a> for complete warranty information.</p> 
<input type="checkbox"/> <b>BBZ</b> <b>Brushed Bronze finish</b>	
<p><b>Note:</b> Append appropriate -suffix to model number.</p>	
<p><b>Compliance</b></p> <p>- ASME A112.18.1/CSA B125.1</p> 	

**Architectural/ Engineering Specification**

Symmons Hand Shower Wand \_\_\_\_\_ Includes Single mode hand shower wand, Flow rate 2.0 gpm (7.6 L/min), Optional lower flow rates, Polished chrome finish (standard). 10 Year Commercial Warranty. ASME A112.18.1/CSA B125.1 compliant. Available options: "1.5 - 1.5 gpm (5.7 L/min) flow restrictor", "STN - Satin Nickel finish", "BBZ - Brushed Bronze finish".

**Dimensions**



**Note:** Dimensions subject to change without notice.