

CSV-SERIES

Curb Stop / Swing Check Valves

Liberty Pumps[®]

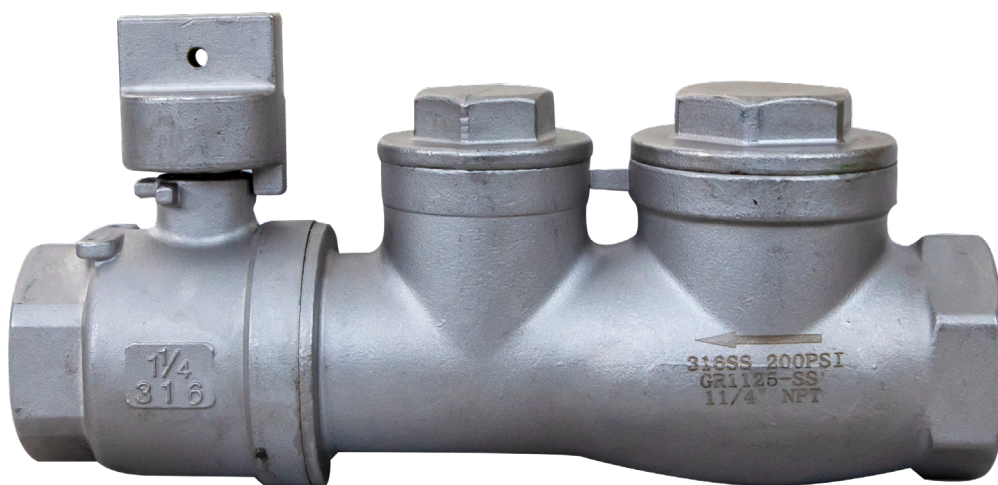
A Family and Employee Owned Company

1-1/4" FNPT

1-1/2" FNPT

2" FNPT

For use in PE/PVC pressure piping applications.

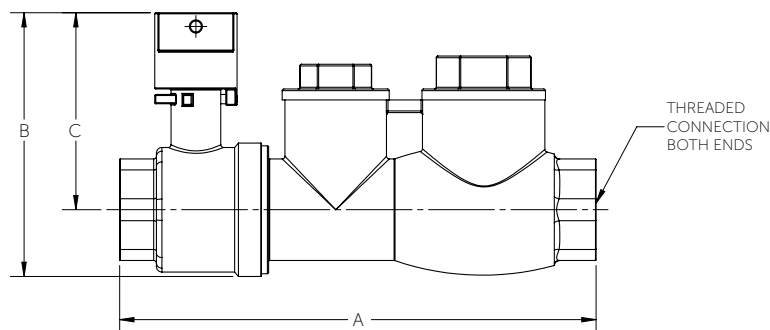


CSV125SS

Features

- 316 Stainless steel
- 200 PSI working pressure at 73°F (23°C). 1-1/4" to 2" fittings
- Female NPT threaded for easy adaptation to IPS/CTS polyethylene & PVC pipe with Cepex male adapters
- Compact one piece design with curb stop, clean out, and check valve
- Fully serviceable check valve with vertical service port

Dimensional Data



Models

| MODEL | SIZE | WEIGHT |
|----------|-------------|----------|
| CSV125SS | 1-1/4" FNPT | 5.5 lbs |
| CSV150SS | 1-1/2" FNPT | 7.0 lbs |
| CSV200SS | 2" FNPT | 10.5 lbs |

| MODEL | DIM "A" | DIM "B" | DIM "C" | THREADED CONNECTION |
|----------|---------|---------|---------|---------------------|
| CSV125SS | 8.7" | 4.8" | 3.6" | 1-1/4" FNPT |
| CSV150SS | 9.5" | 5.6" | 4.6" | 1-1/2" FNPT |
| CSV200SS | 12.0" | 5.9" | 4.2" | 2" FNPT |

innovate. evolve.

Compression Fittings for Pressure Piping

1-1/4"

1-1/2"

1-1/2" x 1-1/4"

2"

Polypropylene fittings for use with CSV-Series curb stops in low pressure sewer applications.



CK125IPS

Features

- Durable polypropylene
- Ease of installation - no inserts required
- UV stabilized
- 200 PSI rated at 73°F (23°C)

Adapter Type

Comp (IPS) X MNPT

- For use on HDPE Pipe SDR 7.3 thru SDR 17 (Sizes 3/4" - 4")
- For use on Sch 40/80 PVC Pipe with SS Grip Ring (Sizes 3/4" - 2")
- ASTM-F714 / ASTM-D3035 / ASTM-D1599-99 / NSF 61

Comp (CTS) X MNPT

- For use on Certified PE Pipe SDR 9 & SDR 11 (Sizes 3/4" - 2")
- For use on Cross Linked Pipe PE SDR 9 for Cold Water Only (Sizes 3/4" - 2")
- For use on Copper Pipe with CTS SS Grip Ring (Sizes 3/4" - 1")
- ASTM-D2737 / ASTM-D1248 / ASTM-D1599-99 / NSF 61 / CSA B137.1



Comp x Male Thread Fitting

Includes split ring, nut, insert, O-ring, and body.

Kits

| PART NUMBER | SIZE [Comp x MNPT] | WEIGHT |
|--------------|-------------------------------|----------|
| CK125IPS | 1-1/4" IPS Comp x 1-1/4" MNPT | 2.65 lbs |
| CK150IPS | 1-1/2" IPS Comp x 1-1/2" MNPT | 4.00 lbs |
| CK150X125IPS | 1-1/2" IPS Comp x 1-1/4" MNPT | 3.95 lbs |
| CK200IPS | 2" IPS Comp x 2" MNPT | 6.40 lbs |
| CK150X125CTS | 1-1/2" CTS Comp x 1-1/4" MNPT | 2.55 lbs |

Each kit contains (4) adapter fittings and (4) SS grip rings (IPS sizes only).