



VITREOUS CHINA

LAVATORY
12-464 / 12-468

LAVATORIES

TOILETS

BIDETS / URINALS

CAST IRON



EATON™ Wheelchair Sink

Features:

- 20" x 27" for Concealed Carrier Arm Support*
- 4" Centers (12-464)
- 8" Centers (12-468)
- 16" x 16" Bowl
- Back Overflow
- ADA Compliant

Dimensions:

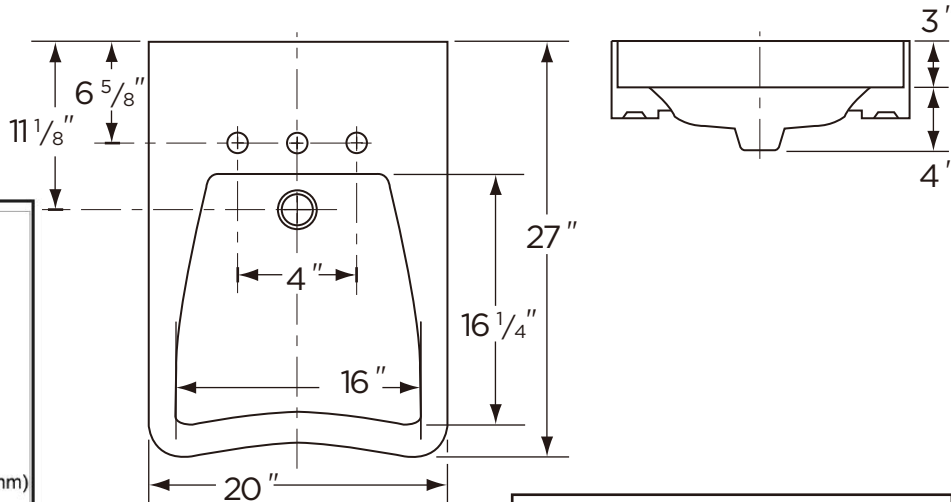
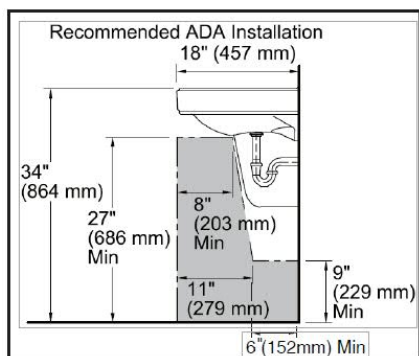
Height.....7"
 Width.....20"
 Depth.....27"
 Shipping Weight 46 lbs

Warranty:

- Limited Lifetime Warranty



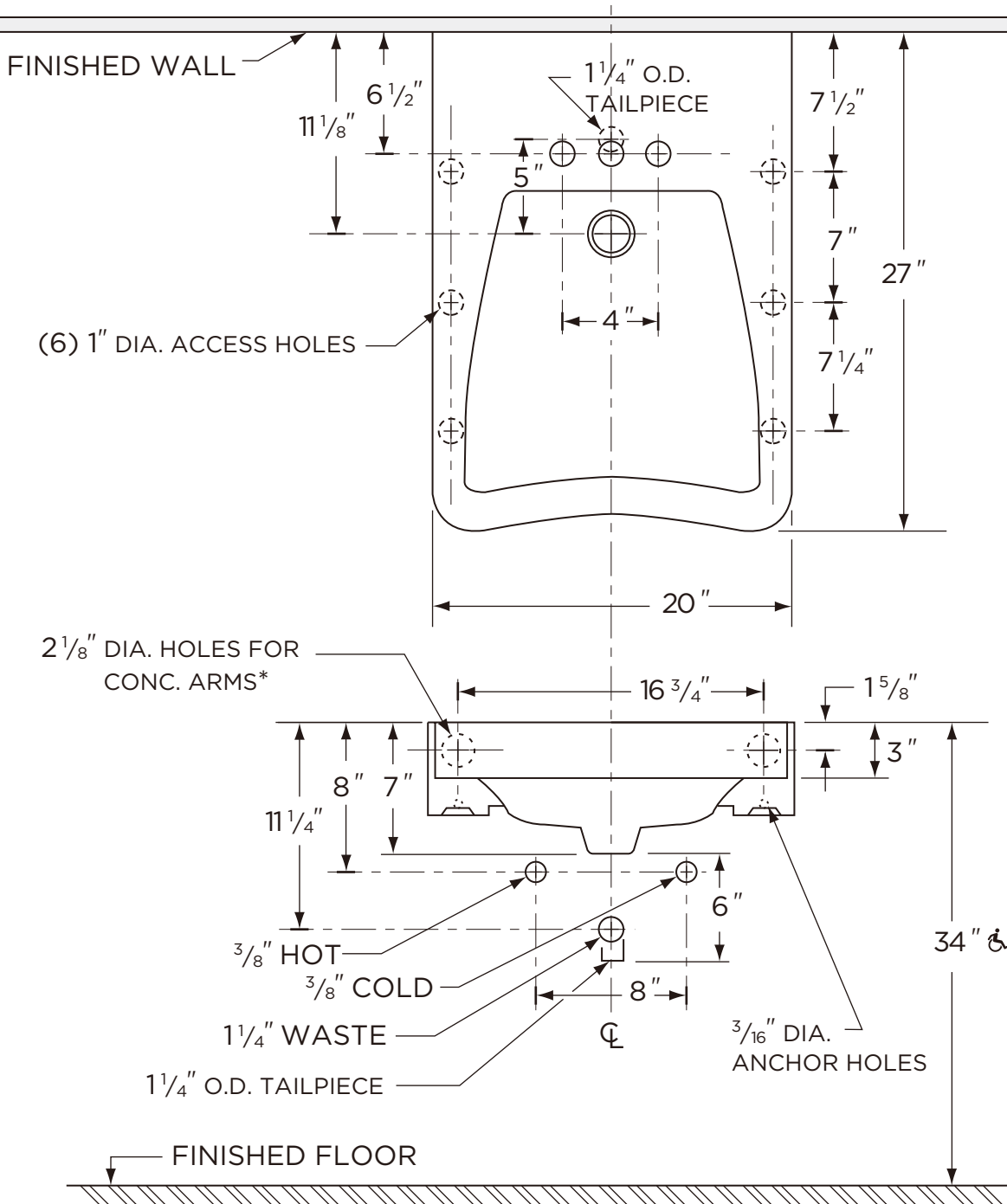
Catalog# 12-464 Shown



*** (See note on Rough In Drawing)**
 Carrier Arm Roughing Information
 NOT supplied. Refer to chair carrier
 manufacturer for roughing
 information.



www.gerberonline.com



NOTES:

All dimensions are in inches.
 *Carrier arm roughing information to be supplied by carrier manufacturer. Carrier and fittings not included with fixture.
 Illustrations may not be drawn to scale.

IMPORTANT:

Dimensions of fixtures are nominal and may vary within the range of tolerances established by ASME Standard A 112.19.2.