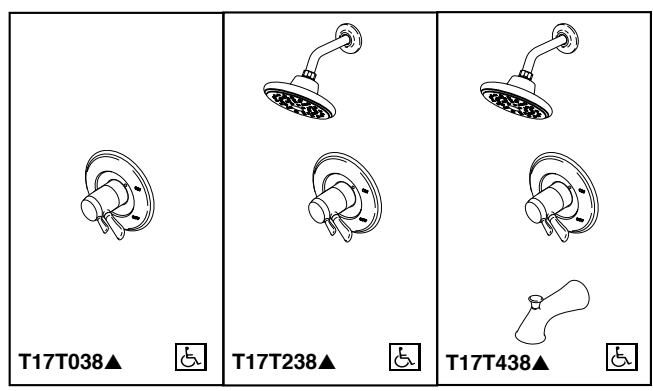




TUB AND SHOWER JETTED SHOWER™ TRIM

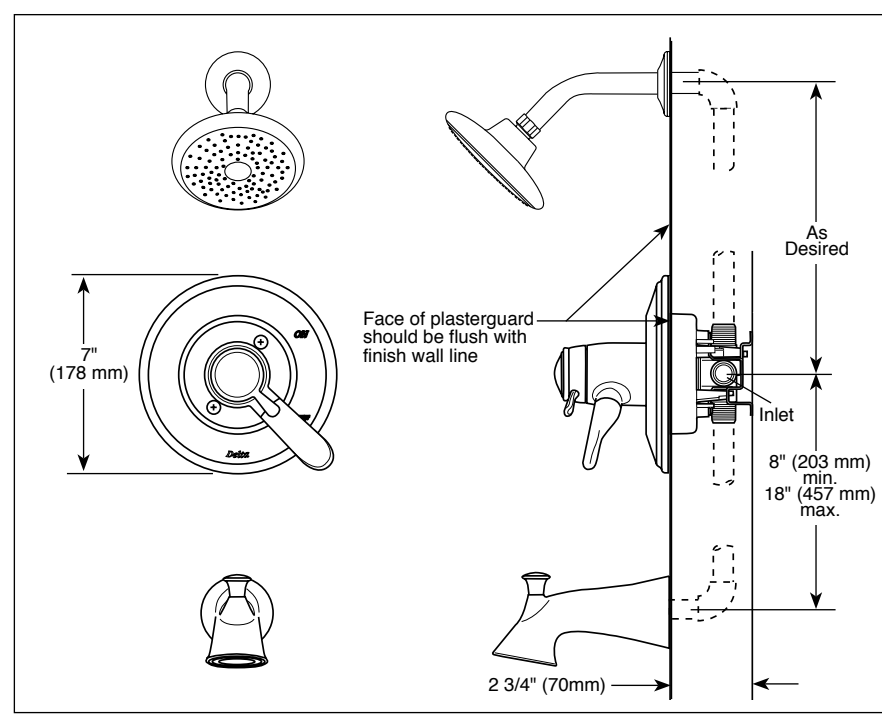


- Lahara® Bath Collection
- TempAssure® Thermostatic
- Valve Only (T17T038)
- Shower Only (T17T238)
- Tub/Shower (T17T438)

Submitted Model No.: _____
 Specific Features: _____

STANDARD SPECIFICATIONS:

- TempAssure® 17T thermostatic valve cartridge.
- Thermostatic wax element maintains the outlet temperature to $\pm 3.6^{\circ}\text{F}$.
- Must also order MultiChoice® Universal rough separately.
- Back-to-back installation capability.
- Lever volume control handle; temperature adjustment dial.
- Graphics indicate hot/cold temperature adjustment.
- Field adjustable to limit rotation into hot water zone.
- All parts are replaceable from the front of the valve.
- Adjusts for up to 1" wall thickness.



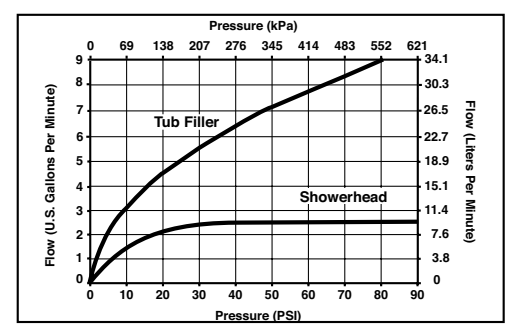
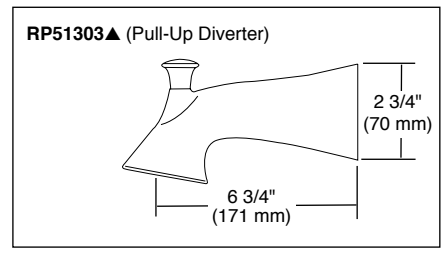
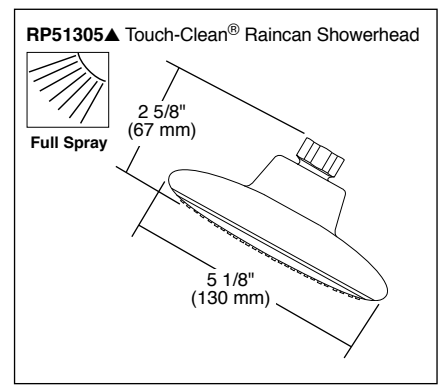
WARRANTY

- Lifetime Faucet and Finish Limited Warranty to the original consumer purchaser to be free from defects in material and workmanship.
- 5 Year Limited Warranty for usage in all industrial, commercial and business applications.

▲ Designate Proper Finish Suffix

COMPLIES WITH:

- ASME A112.18.1 / CSA B125.1
- ASSE 1016
- ☑ Indicates compliance to ICC/ANSI A117.1



Delta reserves the right (1) to make changes in specifications and materials, and (2) to change or discontinue models, both without notice or obligation. Dimensions are for reference only. See current full-line price book or www.specselect.com for finish options and product availability.
 DSP-B-T17T038 Rev. B

55 E. 111th Street, Indianapolis, Indiana 46280
 350 South Edgeware Road, St. Thomas, ON N5P 4L1
 © 2012 Masco Corporation of Indiana