



Caxton® Rectangle

Under-mount Bathroom Sink

K-20000

Features

- Rectangular basin.
- Overflow drain.
- No faucet holes; requires wall- or counter-mount faucet.

Material

- Vitreous china.

Installation

- Under-mount

Included Components

Product consists of:

1193643 Basin Clamps



ADA

CSA B651

Codes/Standards

ASME A112.19.2/CSA B45.1

ADA

ICC/ANSI A117.1










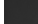
CSA B651

KOHLER® One-Year Limited Warranty

See website for detailed warranty information.

Available Colors/Finishes

Color tiles intended for reference only.

Color	Code	Description
	0	White
	96	Biscuit
	47	Almond
	NY	Dune
	95	Ice™ Grey
	G9	Sandbar
	33	Mexican Sand™
	K4	Cashmere
	58	Thunder™ Grey
	7	Black Black™

1-800-4KOHLER (1-800-456-4537)

Kohler Co. reserves the right to make revisions without notice to product specifications.

For the most current Specification Sheet, go to www.kohler.com.

3-18-2019 06:05 - US/CA/MX

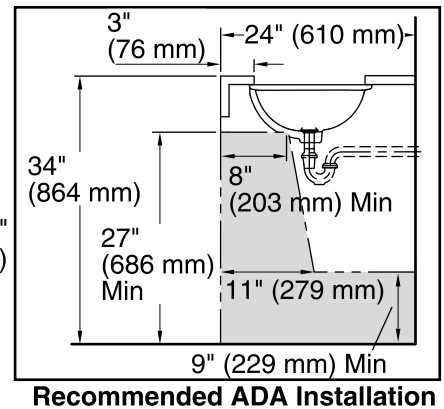
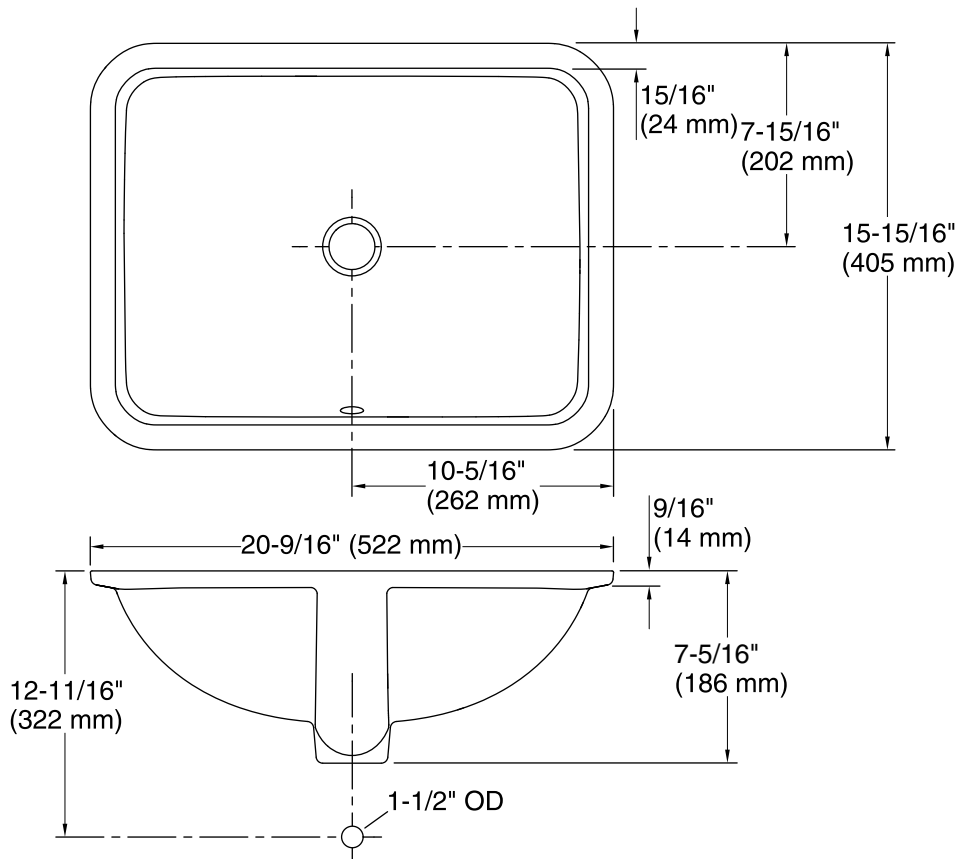
THE BOLD LOOK
OF **KOHLER**®



Caxton® Rectangle

Under-mount Bathroom Sink

K-20000



Technical Information

All product dimensions are nominal.

Installation:	Under-mount
Bowl area:	Length: 17-5/8" (448 mm) Width: 13-1/8" (334 mm) Bowl depth: 5-5/16" (135 mm) Water depth: 3-5/8" (93 mm)
Drain hole:	1-3/4" (44 mm)
Template:	1281904-7, not required, not included

Notes

Install this product according to the installation instructions.

Countertop manufacturer or cutter must use the cut-out template provided with the product, or a current one provided by Kohler Co. (call 1-800-43-FOCUS). Kohler Co. is not responsible for cut-out errors when the incorrect cut-out template is used.

ADA, CSA B651 compliant when installed to the specific requirements of these regulations.