

# STERLING®

A KOHLER COMPANY

## Features

- Anodized aluminum construction
- Finish matched to other Kohler and Sterling products
- Includes installation hardware
- Installs from the front side of the wall
- Variable bracket spacing allows for flexible installation
- 10-year consumer/3-year commercial limited warranty

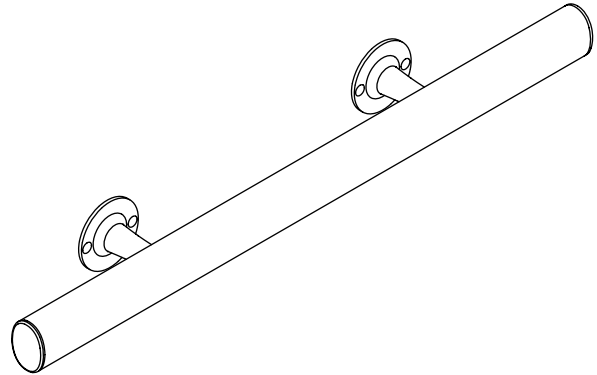
## Codes/Standards Applicable

Specified model meets or exceeds the following:

- ASME A112.18.1/CSA B125.1
- ASTM F446

GRAB BAR  
**80001012**

ALSO 80001018, 80001024, 80001036



## Colors/Finishes

- V: Matte Silver
- N: Nickel

## Specified Model

| Model    | Description            | Colors/Finishes            |                            |
|----------|------------------------|----------------------------|----------------------------|
| 80001012 | 12" (30.5 cm) grab bar | <input type="checkbox"/> V | <input type="checkbox"/> N |
| 80001018 | 18" (45.7 cm) grab bar | <input type="checkbox"/> V | <input type="checkbox"/> N |
| 80001024 | 24" (61 cm) grab bar   | <input type="checkbox"/> V | <input type="checkbox"/> N |
| 80001036 | 36" (91.4 cm) grab bar | <input type="checkbox"/> V | <input type="checkbox"/> N |

| Recommended Tools |   |
|-------------------|---|
| 1153882           | 9" (22.9 cm) long T-Handle hex wrench, 1/8" drive |

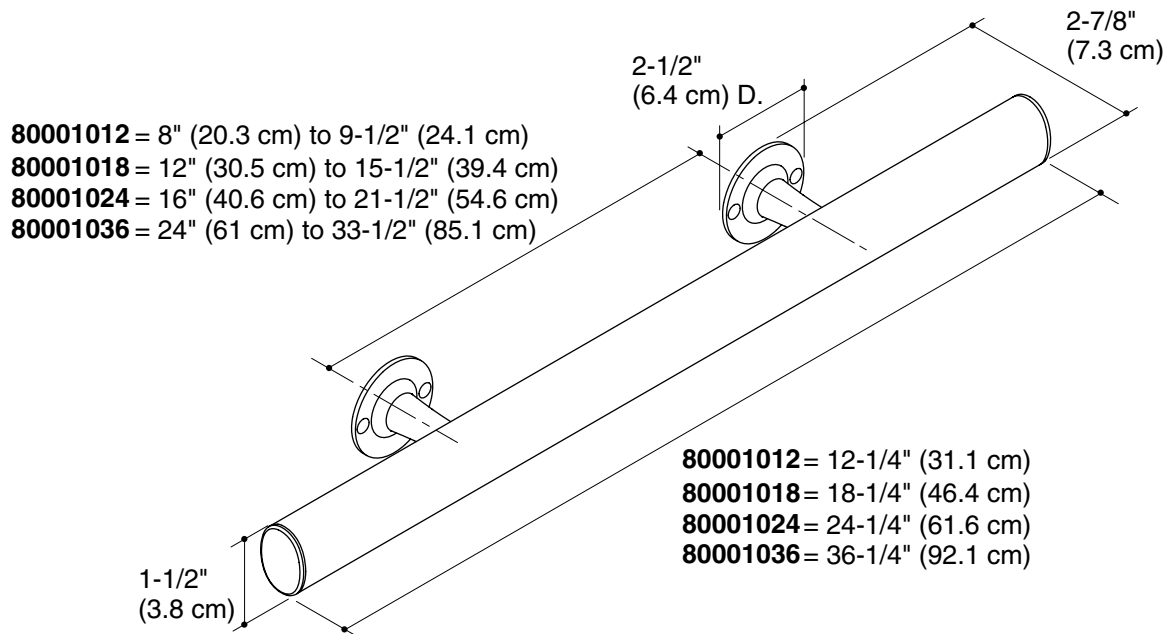
## Installation Notes

Install this product according to the installation guide.



**WARNING: Risk of personal injury.** The wall plates on the grab bar must be mounted to a brace between the wall studs. Doing so will ensure that the weight of the user is adequately supported.

The appearance of the product may differ from the product diagram. The dimensions still apply.



## Product Diagram