

# S451-1-TS

LOW CONSUMPTION URINAL FLUSH VALVE  
(1gpf / 3.8 Lpf per Flush)

## TruSABER

### Description

Exposed chrome plated flush valve for 0.75" top spud  
Urinals w/ TruStop control stop.

### Flush Cycle

1 gpf / 3.8 Lpf Low Consumption

### Specification

- Regulating screw for "True-in-the-Field" water conservation.
- Recessed hex nut for scratch resistant cover.
- Chloramine resistant self-cleaning bypass diaphragm.
- ADA compliant metal "Rubberflex" oscillating handle.
- Renewable main valve seat.
- 3/4" vandle proof TruStop ball valve designed angle control stop with TruChek.
- Sweat adapter kit.
- SlipFit adjustable tailpiece.
- 0.75" x 9" vacuum breaker flush connection.
- Wall flange, spud nut and spud flange for 3/4" top spud.
- All rubber parts molded of chloramine resistant rubber.

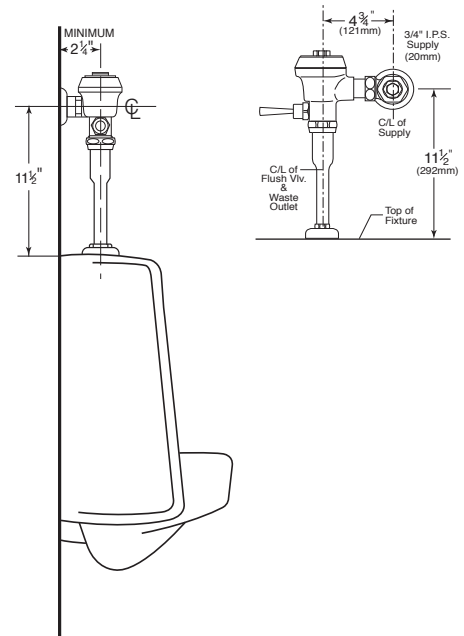
### Variations

- AM - Antimicrobial Coated Handle
- SM - Side mounted battery powered sensor actuator
- T5 - Non-Hold-Open Feature
- T6 - Wall flange with allen set screw
- T36 - Solid ring wall support for flush connection
- T46 - Split ring wall support for flush connection
- VPS - Vandal Proof Control Stop with Key
- Logo - Customized Cover Cap w/ Logo

Valve is certified to be in compliance to the applicable sections of ASSE 1037 and ANSI/ASME 112.19.2



Patented TruStop Control Stop



ASSE 1037

