

**Features**

- Two lever handles offer separate control of hot and cold water
- 7-1/8" (181 mm) nondiverter spout
- Coordinates with other products in the Medley collection

**Material**

- Premium material construction for durability and reliability
- KOHLER® finishes resist corrosion and tarnishing
- Trim only; requires high-flow ceramic valves to complete installation (K-300-K, K-300-KR, or K-301-K)

**Installation**

- Deck-mount

**Required Products/Accessories**

K-300-K High Flow Bath Valve

or

K-300-KR High Flow Valve w/ Rigid Connections

or

K-301-K 3/4" high-flow bath valve

**Recommended Products/Accessories**

K-23723 Faucet cleaner

**Optional Products/Accessories**

1032704 Deep Rough-In Kit

1032705 Deep Rough-In Kit



**ADA** **CSA B651** **OBC**

**Codes/Standards**

ASME A112.18.1/CSA B125.1

ADA

ICC/ANSI A117.1

CSA B651

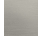
OBC

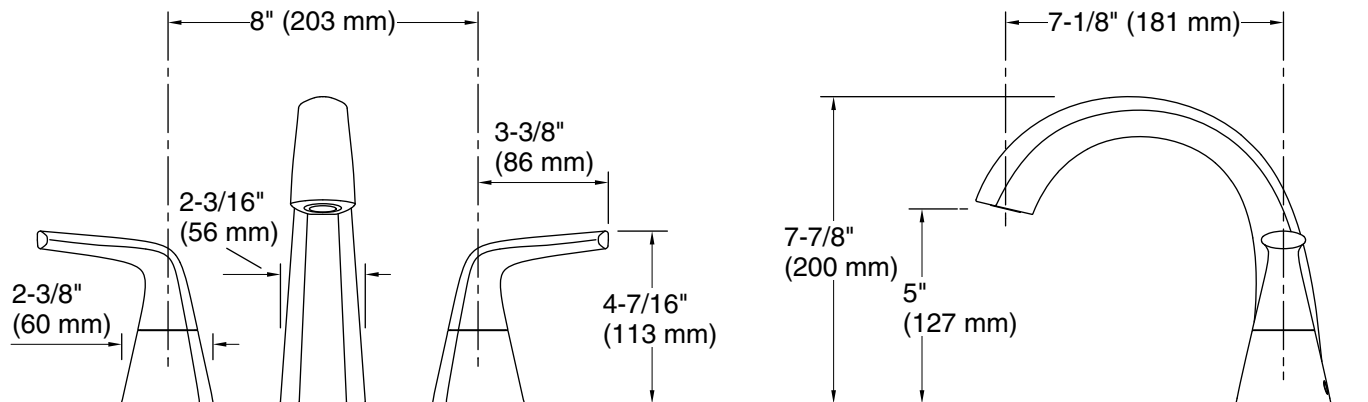
**STERLING® Faucet Lifetime Limited Warranty**

See website for detailed warranty information.

**Available Colors/Finishes**

*Color tiles intended for reference only.*

Color	Code	Description
	CP	Polished Chrome
	BN	Vibrant® Brushed Nickel
	BL	Matte Black



### Technical Information

All product dimensions are nominal.

Drain included: No

### Spout:

Spout reach: 7-1/8" (182 mm)

### Notes

Install this product according to the installation instructions.

ADA, OBC, CSA B651 compliant when installed to the specific requirements of these regulations.