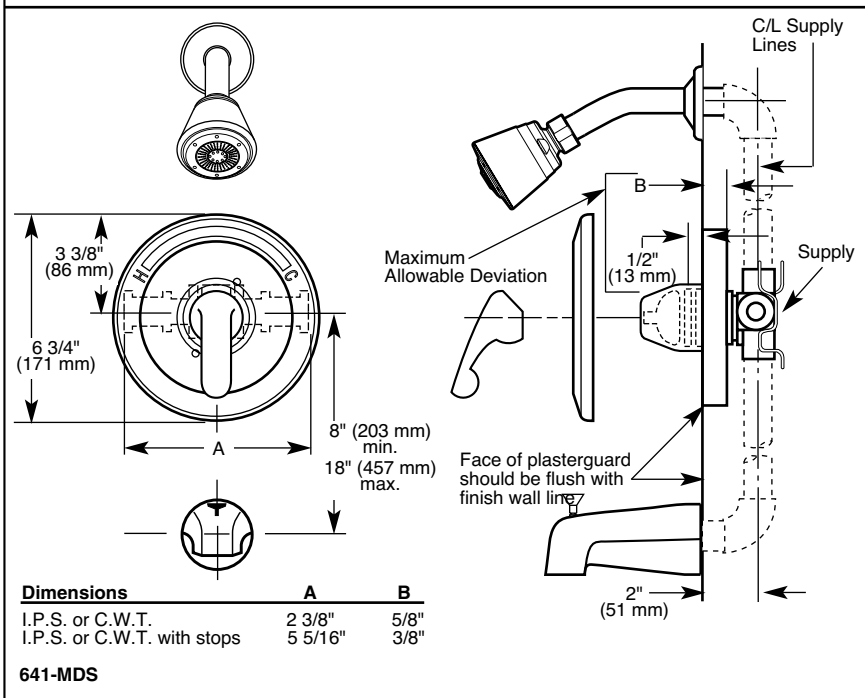
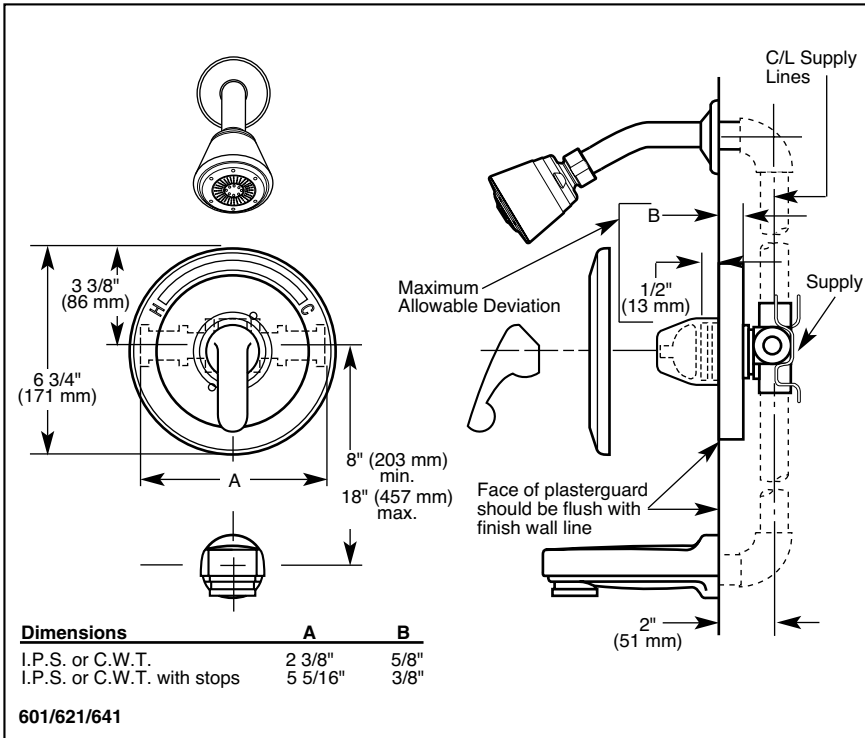


Submitted Model No.: _____

Specific Features: _____



DELTA

CONVENTIONAL BATH VALVES

- Valve Only (601 Series)
- Shower Only (621 Series)
- Tub/Shower (641 Series)
- Single Handle
- Conventional
- Non-Pressure Balance
- Temperature and Volume Controlled with Handle



LISTED
UL Listed to US and Canadian
Safety Standards
21PL

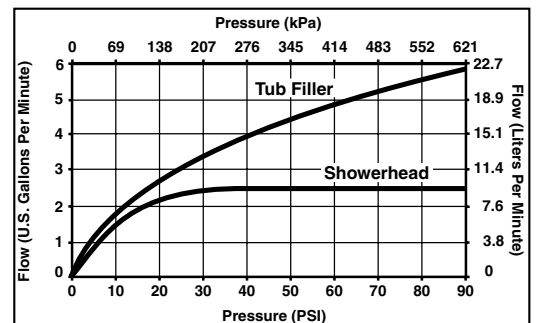


COMPLIES WITH:

- ASME A112.18.1M-1996
- CSA B125-93
- Showerhead GSA A-A-240
- Indicates ADA compliance to CABO/ANSI A117.1-1992
- CSA Certified
- IAPMO Listed
- City of L.A. approved (621 and 641 series)

STANDARD SPECIFICATIONS:

- Single handle concealed type bath valve.
- Solid brass fabricated body.
- Requires 2" (51 mm) wall cavity.
- Lever handle.
- Temperature and volume controlled with handle.
- Control mechanism shall be of the rotating ball type with replaceable non-metallic seats operating in stainless steel lined sockets.
- Control handle shall always return to the neutral position when valve is turned off.
- All parts shall be replaceable from the front of the valve.

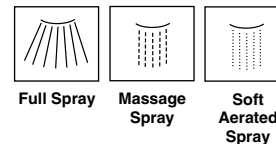
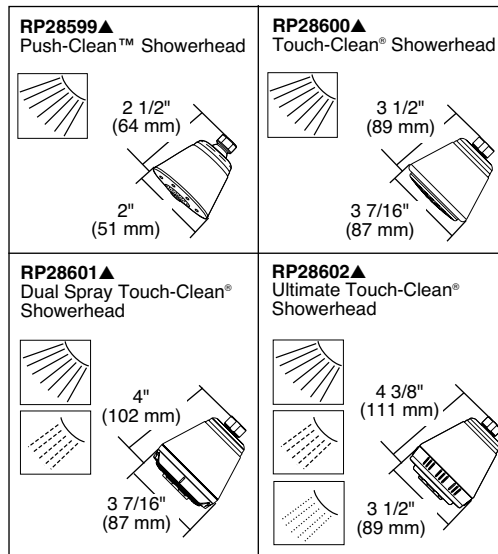
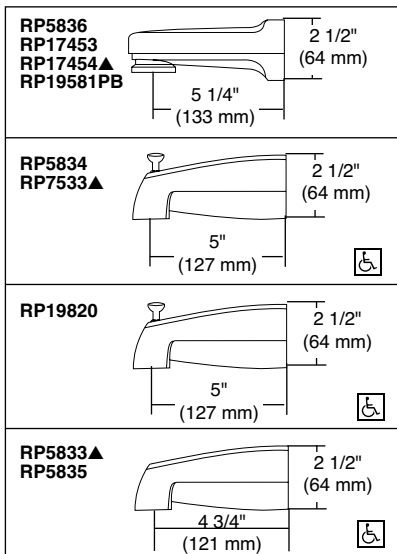


Standard Features	601	601-C	621	621-C	621-CWS	621-PB	621-CPB	621-WH	621-CWH	641	641-C	641-PB	641-CPB	641-WH	641-CWH	641-MDS
Washerless	◆	◆	◆	◆	◆	◆	◆	◆	◆	◆	◆	◆	◆	◆	◆	◆
1/2" I.P.S. Inlets and Outlets	◆		◆			◆		◆		◆		◆			◆	◆
1/2" C.W.T. Sweat Inlets and Outlets		◆		◆	◆		◆		◆		◆		◆		◆	
Metal Lever Handle	♿	♿	♿	♿	♿	♿	♿	♿	♿	◆	◆	◆	◆	◆	◆	♿
Metal Shower Arm and Flange			◆	◆	◆	◆	◆	◆	◆	◆	◆	◆	◆	◆	◆	◆
Non-Metallic Push-Clean™ Showerhead/1 Spray Pattern			◆	◆	◆	◆	◆	◆	◆	◆	◆	◆	◆	◆	◆	◆
Non-Metallic Tub Filler w/Pull-Down Diverter										◆	◆	◆	◆			
Metal Tub Filler w/Pull-Down Diverter														◆	◆	
Metal Tub Filler w/Pull-Up Diverter																◆
Screwdriver Stops					◆											
Chrome Finish	◆	◆	◆	◆	◆					◆	◆					◆
Brilliance™ Polished Brass Finish						◆	◆					◆	◆			
White Finish								◆	◆					◆	◆	

Available Options for Field Conversion:

- Screwdriver Stops. Order two RP5876s for I.P.S. or two RP6005s for C.W.T.
- Shower Arm. Order RP6023▲.
- Shower Flange. Order RP6025▲.
- Non-metallic Touch-Clean® showerhead/1 spray pattern. Order RP28600▲.
- Non-metallic Dual Spray Touch-Clean® showerhead/2 spray patterns. Order RP28601▲.
- Non-metallic Ultimate Touch-Clean® showerhead/3 spray patterns. Order RP28602▲.
- Brass shower arm diverter for hand shower. Order RP4239 (chrome only).
- Personal hand shower with 24" vertical bar, 60" hose. Order RP7245 (chrome only).
- Personal hand shower with 24" vertical bar, 60" hose, vacuum breaker and wall supply elbow. Order RPW1111HDF (chrome only).
- Personal hand shower with 60" hose, vacuum breaker and wall supply elbow. Order RPW2222HDF (chrome only).
- Metallic tub filler with pull-down diverter for 1/2" C.W.T. or 1/2" I.P.S. Order RP17454▲.
- Non-metallic tub filler with pull-down diverter for 1/2" C.W.T. or 1/2" I.P.S. Order RP17453 (chrome only).
- Non-metallic slip-on tub filler with pull-down diverter for 1/2" C.W.T. Order RP5836 (chrome only).
- Metallic slip-on tub filler with pull-down diverter for 1/2" C.W.T. Order RP19581PB (Brilliance™ polished brass only).
- Metallic tub filler with pull-up diverter for 1/2" C.W.T. or 1/2" I.P.S. Order RP7533▲.
- Non-metallic tub filler with pull-up diverter for 1/2" C.W.T. or 1/2" I.P.S. Order RP5834 (chrome only).
- Non-metallic slip-on tub filler with pull-up diverter for 1/2" C.W.T. Order RP19820 (chrome only).
- Metallic over-the-rim tub filler for 1/2" I.P.S. Order RP5833▲.
- Metallic over-the-rim slip-on tub filler for 1/2" C.W.T. Order RP5835 (chrome only).
- Bath waste assemblies and bath accessories also available separately.

▲=Specify Finish



Indianapolis, Indiana 46280
A Division of Masco Corporation of Indiana
© 2001 Masco Corporation of Indiana