

# Rubix 6032 Acrylic Alcove Bathtub

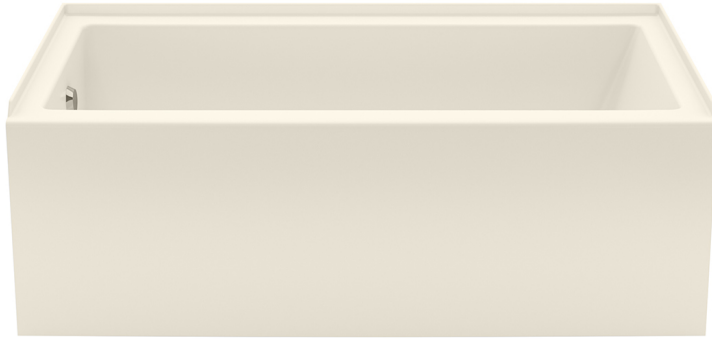
**Model number:**

105705-000-007-001

**Dimensions:** 59.75" x 32" x 18.375"

**Installation:** Alcove

**Material:** Acrylic



## Standard Features:

- Rectangular shape bathtub in alcove installation
- Available in Above-the-Floor Rough (AFR) or not
- Right or left-hand drain
- Cubic design
- Integrated flat skirt and integrated tiling flange
- Compatible with U tile shower wall panels

## Product characteristics:

- Made in North America
- Elegant Design
- Integrated Tiling Flange and Skirt

## Standard Colors:



White



Bone



Biscuit

## Certifications

MAAX products adhere to one or more of the following certifications:



# MAAX

# Rubix 6032 Acrylic Alcove Bathtub

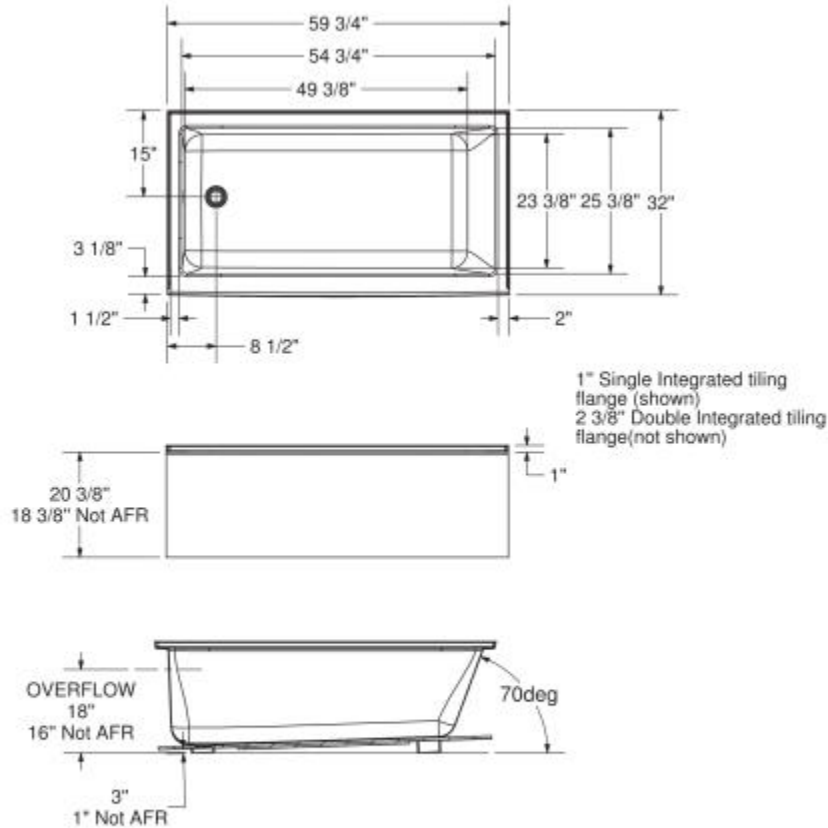
**Model number:**

105705-000-007-001

**Dimensions:** 59.75" x 32" x 18.375"

**Installation:** Alcove

**Material:** Acrylic



Wood support design may vary.  
Single Integrated tiling flange: 1" height x 1/4" thickness (shown)  
All dimensions are approximate. Structure measurements must be verified against the unit to ensure proper fit.

## Dimensions

59 3/4 x 32 x 18 1/2 In.  
(1518 x 813 x 467 mm)

## Water Capacity

59 gallons - 223 liters

## Weight

80 lbs - 36 1/4 kg

## Bathing Well

54 3/4 In. x 25 1/2 In.  
(1391 mm x 645 mm)

## Deep Sump Height

16.75 In. - 425 mm

## Deck Width

3.125 In. - 79 mm

## Drain location:

Left

Right

Project: \_\_\_\_\_

Contractor: \_\_\_\_\_

Representative: \_\_\_\_\_

Date: \_\_\_\_\_

Tel: \_\_\_\_\_

Notes: \_\_\_\_\_

# MAAX