

Features

- Acrylic
- Molded lumbar support
- Integral 3-sided tiling flange for alcove installation
- 60" (1524 mm) x 30" (762 mm) x 19" (483 mm)

BATH WITH INTEGRAL FLANGE

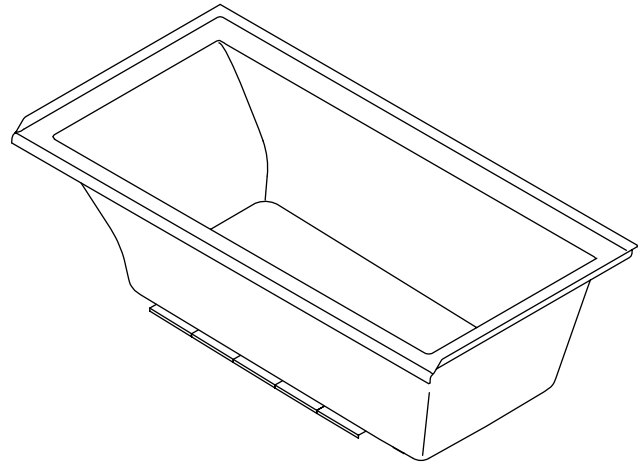
K-1121-L
ALSO K-1121-R

ADA

Codes/Standards Applicable

Specified model meets or exceeds the following:

- ADA
- ICC/ANSI A117.1
- ANSI Z124.1.2
- CSA B45.0
- CSA B45.5
- UL 1795



Colors/Finishes

- 0: White
- Other: Refer to Price Book for additional colors/finishes

Accessories

- 0: White
- CP: Polished Chrome
- PB: Vibrant® Polished Brass
- Other: Refer to Price Book for additional colors/finishes

Specified Model

| Model | Description | Colors/Finishes | | |
|----------------------|--|-----------------------------|-------------------------------------|-------------------------------------|
| K-1121-L | Bath with integral flange – left drain | <input type="checkbox"/> 0 | <input type="checkbox"/> Other_____ | |
| K-1121-R | Bath with integral flange – right drain (shown) | <input type="checkbox"/> 0 | <input type="checkbox"/> Other_____ | |
| Required Accessories | | | | |
| K-7271 | Clearflo slotted overflow brass bath drain OR | <input type="checkbox"/> CP | <input type="checkbox"/> PB | <input type="checkbox"/> Other_____ |
| K-7272 | Clearflo slotted overflow bath drain – PVC pipe | <input type="checkbox"/> CP | <input type="checkbox"/> PB | <input type="checkbox"/> Other_____ |

Product Specification

The acrylic bath shall be 60" (1524 mm) in length, 30" (762 mm) in width, and 19" (483 mm) in height. Bath shall have molded lumbar support. Bath shall feature integral 3-sided tiling flange for alcove installation. Bath shall be Kohler Model K-1121-L-____ or K-1121-R-_____.

UNDERScore®

Optional Accessories

| | | | |
|--------|----------|----------------------------|-------------------------------------|
| K-1491 | Pillow | <input type="checkbox"/> 0 | <input type="checkbox"/> Other_____ |
| K-1601 | Footstop | <input type="checkbox"/> 0 | <input type="checkbox"/> Other_____ |

Technical Information

| | |
|---|---------------------------------------|
| Fixture*: | |
| Bathing well: | |
| Basin area, bottom | 42-7/16" (1078 mm) x 20" (508 mm) |
| Basin area, top | 54-5/16" (1380 mm) x 24-1/4" (616 mm) |
| Weight | 75 lbs (34 kg) |
| To overflow: | |
| Water depth | 15-1/8" (384 mm) |
| Capacity | 59.8 gal (226 L) |
| * Approximate measurements for comparison only. | |

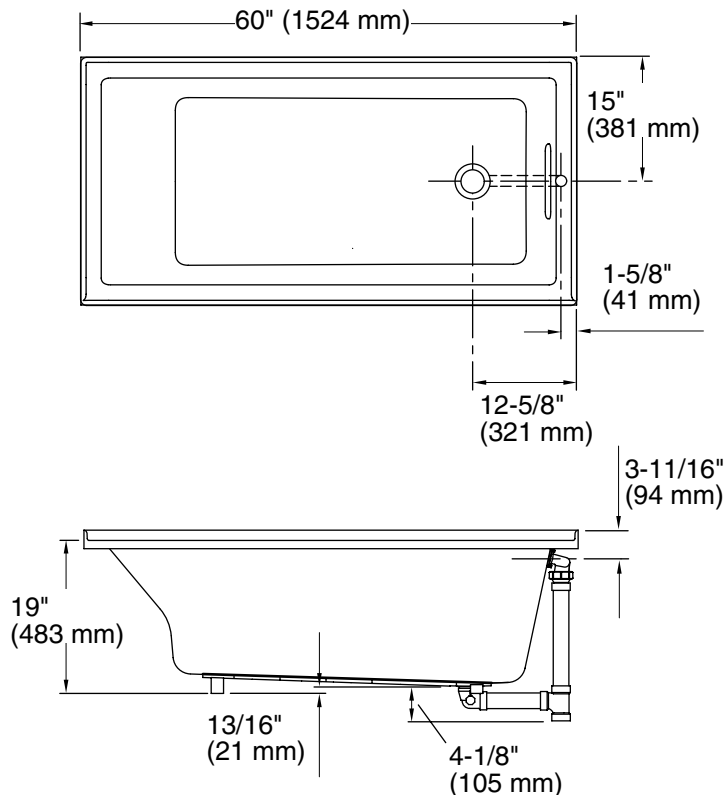
Installation Notes

Install this product according to the installation guide.

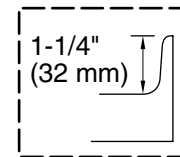
Will comply with **ADA** when installed per Section 607 Bathtubs of the Act.

Floor support under bath must provide for a minimum of 42 lbs/square foot (202 kg/square meter) loading.

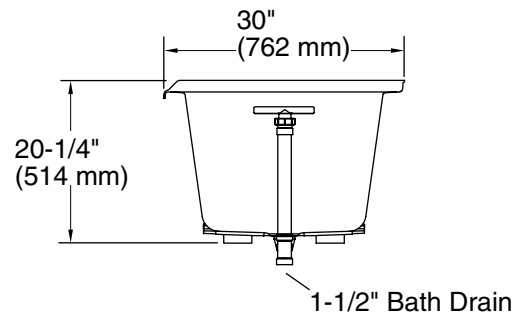
Hot water supply should be 70% of capacity or greater. Installations will vary.



No change in measurement if connected with drain illustrated. (K-7272)



Tile Flange Detail



Product Diagram