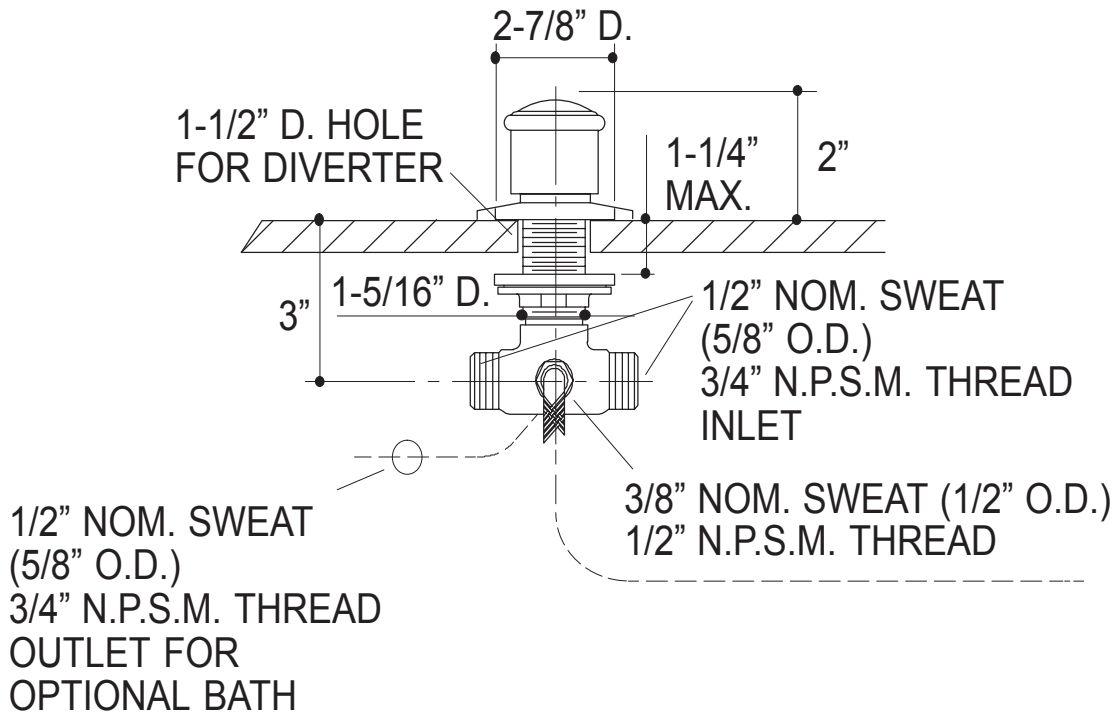


CODES/STANDARDS APPLICABLE

Specified model meets or exceeds the following:

- ASME/ANSI A112.18.1M
- ADA
- CABO/ANSI A117.1



* We recommend the use of a vacuum breaker.

SPECIFIED MODEL				
Model	Description	Finishes		
P21435-00	Select Diverter Valve	<input type="checkbox"/> CP Chrome	<input type="checkbox"/> AD Nickel Silver	<input type="checkbox"/> AG Brushed Nickel

We reserve the right to make revisions without notice in the design of products or in packaging unless this right has specifically been waived at the time the order is accepted.