

Features

- Brass construction
- Front seal plate assembly
- Handle assembly
- Complements Bancroft® Suite
- Lever handle(s)

**THERMOSTATIC TRIM SET
K-T10593**

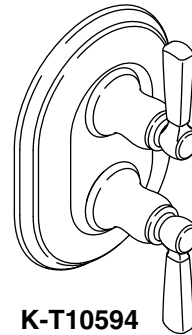
ALSO K-T10594, K-T10595, K-T10596

ADA

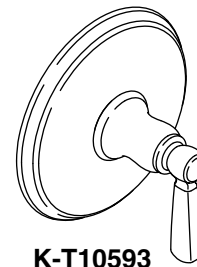
Codes/Standards Applicable

Specified model meets or exceeds the following:

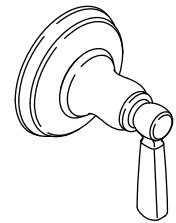
- ADA
- ASSE 1016
- ASME A112.18.1/CSA B125.1
- ICC/ANSI A117.1



K-T10594



K-T10593



**K-T10595
K-T10596**

Colors/Finishes

- CP: Polished Chrome
- Other: Refer to Price Book for additional colors/finishes

Accessories

- NA: None applicable

Specified Model

For complete faucet, both faucet trim and valving must be specified.			
Model	Description	Colors/Finishes	
K-T10593-4	Thermostatic valve trim, metal lever handle	<input type="checkbox"/> CP	<input type="checkbox"/> Other _____
K-T10593-4P	Thermostatic valve trim, ceramic lever handle	<input type="checkbox"/> CP	<input type="checkbox"/> Other _____
K-T10594-4	Stacked thermostatic valve trim, metal lever handle	<input type="checkbox"/> CP	<input type="checkbox"/> Other _____
K-T10594-4P	Stacked thermostatic valve trim, ceramic lever handle	<input type="checkbox"/> CP	<input type="checkbox"/> Other _____
K-T10595-4	Transfer valve trim, metal lever handle	<input type="checkbox"/> CP	<input type="checkbox"/> Other _____
K-T10595-4P	Transfer valve trim, ceramic lever handle	<input type="checkbox"/> CP	<input type="checkbox"/> Other _____
K-T10596-4	Volume control trim, metal lever handle	<input type="checkbox"/> CP	<input type="checkbox"/> Other _____
K-T10596-4P	Volume control trim, ceramic lever handle	<input type="checkbox"/> CP	<input type="checkbox"/> Other _____
Required Accessories			
K-2972-KS (replaces K-679-KS)	1/2" Thermostatic valve	<input type="checkbox"/> NA	
K-2973-KS (replaces K-680-KS)	1/2" Stacked thermostatic valve	<input type="checkbox"/> NA	
K-2974-K (replaces K-681-K)	1/2" Volume control	<input type="checkbox"/> NA	

Product Specification

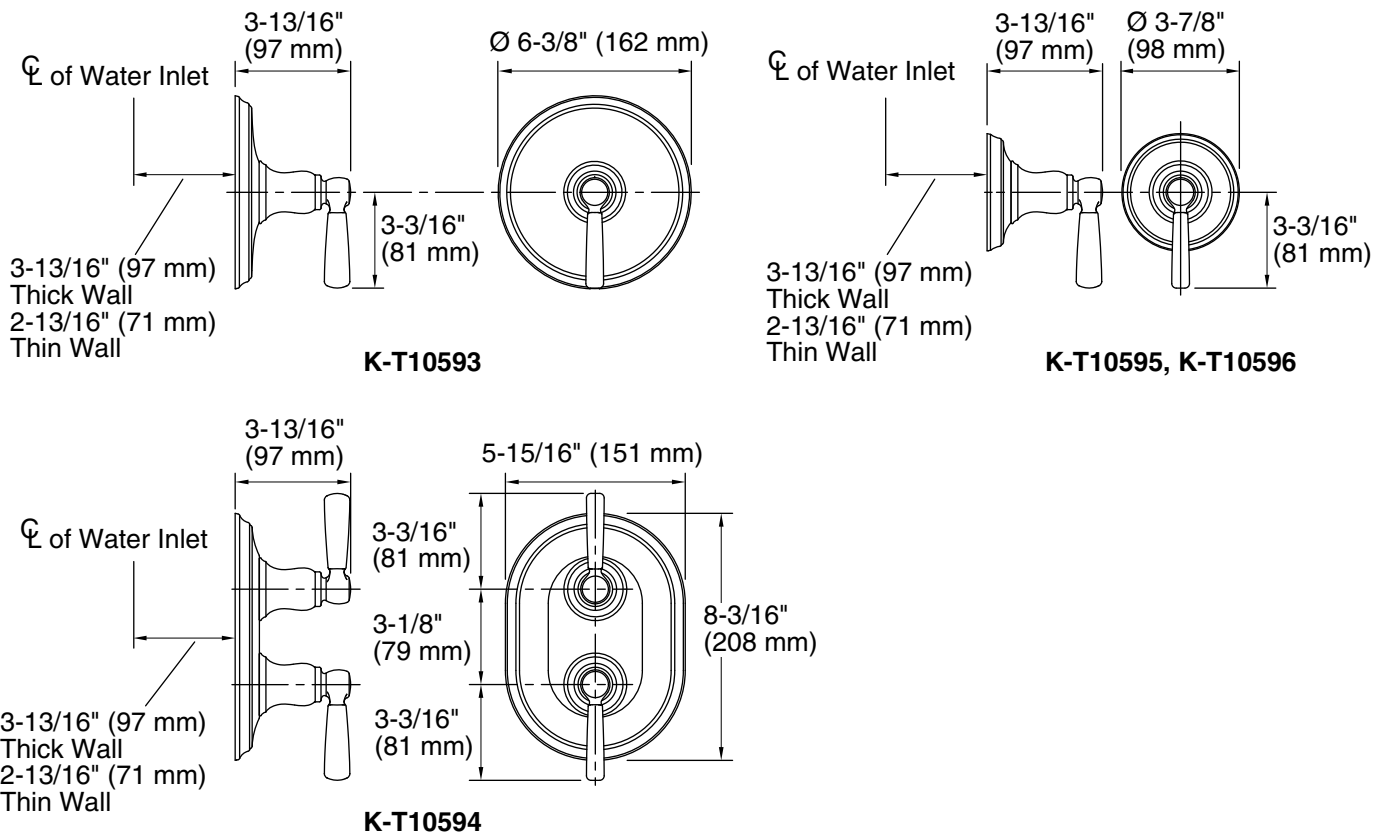
Thermostatic trim set shall be of brass construction. Trim shall include front seal plate assembly and handle assembly. Product shall have lever handle(s). Trim shall complement the Bancroft Suite. Trim shall be Kohler Model K-T____-____-____ and thermostatic valving shall be K-____-____-NA.

BANCROFT™

Required Accessories (Cont.)		
K-2975-KS (replaces K-669-KS)	3/4" Thermostatic valve	<input type="checkbox"/> NA
K-2976-KS (replaces K-670-KS)	3/4" Stacked thermostatic valve	<input type="checkbox"/> NA
K-2977-K (replaces K-671-K)	3/4" Volume control	<input type="checkbox"/> NA
K-728-K	3/4" Transfer valve	<input type="checkbox"/> NA
K-737-K	3/4" Diverter valve	<input type="checkbox"/> NA

Installation Notes

Install this product according to the installation guide.



Product Diagram