



**Dearborn®
Brass**

4675 W. 160th St.
Cleveland, Ohio 44135
Ph: (800) 321-9532
Fax: (800) 321-9535
www.dearbornbrass.com

SUBMITTAL SPECIFICATION

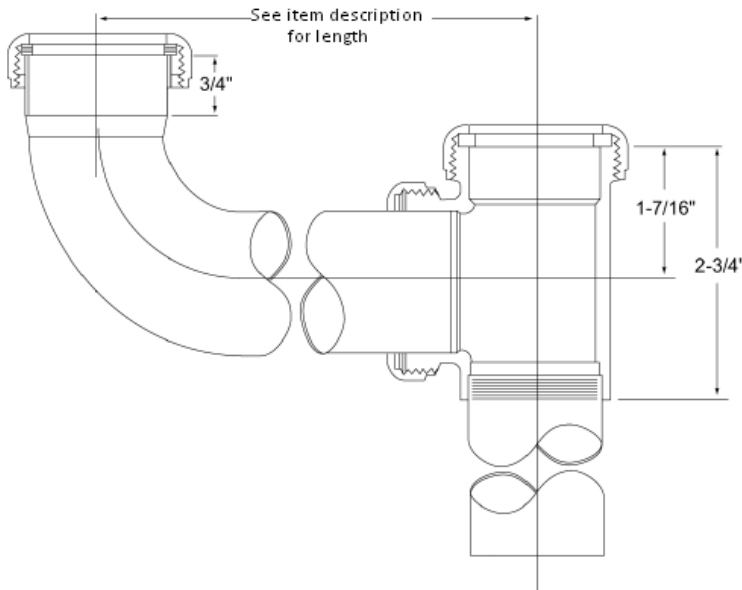
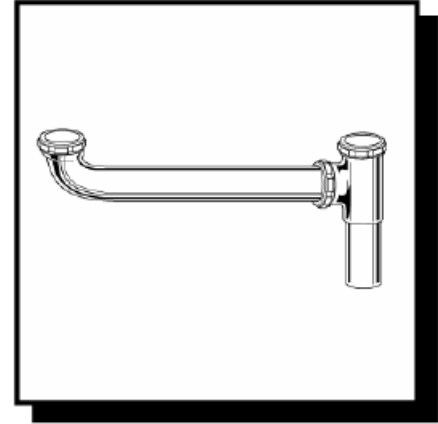
**BRASS TUBULAR
1-½" SLIP JOINT END OUTLET WASTE**

Engineering Specification: Dearborn Brass 1-½" Brass Tubular Slip Joint End Outlet Waste is designed for use in tubular drain applications. Available in 17, 20 or Budget Gauge Brass. Options include Brass Nuts, Baffle Tee and 16" or 21" lengths.

Job Reference

DESCRIPTION

- Chrome Finish
- End Outlet Waste
 - Waste Arm
 - Tailpiece
 - Tee
 - (3) Nuts
 - (3) Washers



✓	Product No.	Description	Carton Quantity	Carton Weight (lbs)
	2108A-1	1-½" x 16" Center to Center, Slip Joint – Budget Gauge	10	15
	108A-1	1-½" x 16" Center to Center, Slip Joint –20 Gauge	10	17
	108B-1	1-½" x 21" Center to Center, Slip Joint – 20 Gauge	10	20
	111A-1	1-½" x 16" Center to Center, Slip Joint – 17 Gauge	10	19
	111ABN-1	1-½" x 16" Center to Center, Slip Joint – 17 Gauge with Brass Nuts	10	20
	2178A-1	1-½" x 16" Center to Center, Slip Joint – Budget Gauge with Baffle Tee	10	16
	78A-1	1-½" x 16" Center to Center, Slip Joint – 20 Gauge with Baffle Tee	10	17
	78A-17-1	1-½" x 16" Center to Center, Slip Joint – 17 Gauge	10	20
	78A-17BN-1	1-½" x 16" Center to Center, Slip Joint – 17 Gauge with Baffle Tee and Brass Nuts	10	20

Data is subject to manufacturing tolerances.