



4515 East 139th Street
 Grandview, MO 64030
 (800) 362-9055
 Fax (800) 362-1463
 www.PRIER.com

190 Series Straight Pattern Urinal Flush Valve

Application



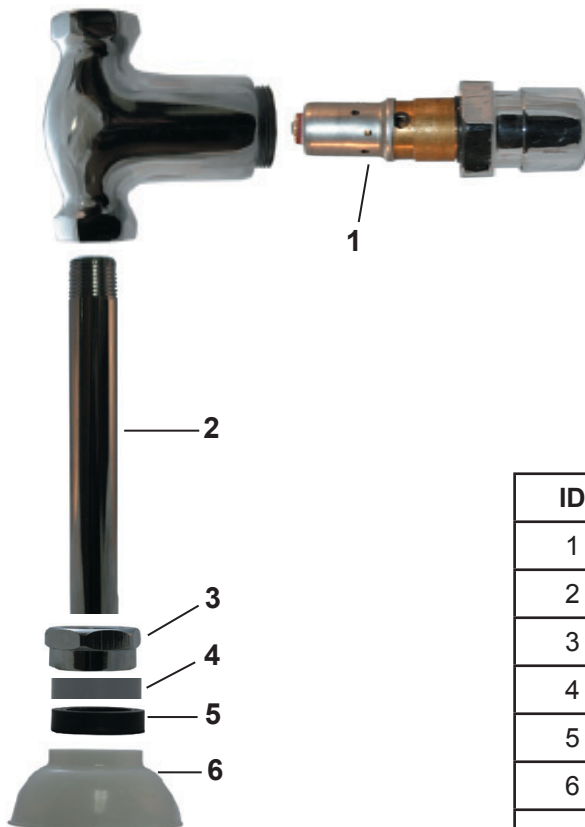
The 190 Urinal Valve is the industry's finest. It is efficient, dependable, quiet and versatile. With its automatic metering design and balanced cartridge assembly, it operates equally well at high or low pressures. The push button operation resists damage and vandalism.

The 190 features a casted brass body with triple chrome plating for long lasting finish. Each valve is water tested to assure proper operation once installed.

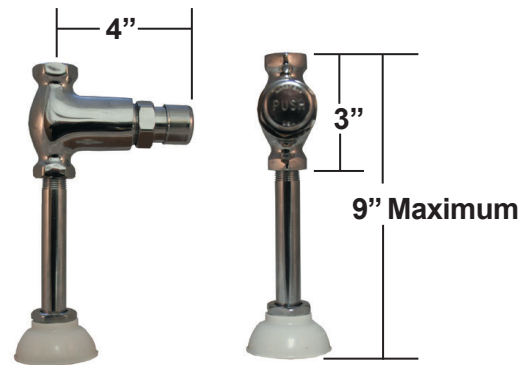
- Cast brass body
- Triple chrome plating
- Low cost, high quality
- Operates equally well at high or low pressures

Ordering Replacement Parts

Part No.	Description	Carton Qty	Carton Wt
190-0	1/2" FNPT Inlet x 3/8" FNPT Outlet Straight Pattern Urinal Flush Valve	10	21 lbs



Rough-In Dimensions



ID	Part No.	Description
1	630-5043	Replacement Cartridge Assembly
2	720-3002	Riser Tube (Chrome Plated)
3	710-3016	Spud Nut (Chrome Plated Brass)
4	920-3002	Spud Washer (Brass)
5	636-3004	Spud Gasket (Buna)
6	737-3009	Scutum (Polypropolene)
	190-KT1	Scutum Assembly, Contains: 3, 4, 5, 6