

Product Features

- Type Straight
- 1/4 Turn
- Lead Free
- One Piece Body
- Brass Stem
- Chrome Plated Brass Body
- Chrome Plated Die Cast Zinc Handle
- Pressure Rating: 125 PSI
- Temperature Rating: 40°F - 140°F
- cUPC, NSF/ANSI 61 and 372 Approved
- 1/2" Cold Expansion PEX F1960 x 3/8" OD Comp
- Application Residential, Commercial, Water

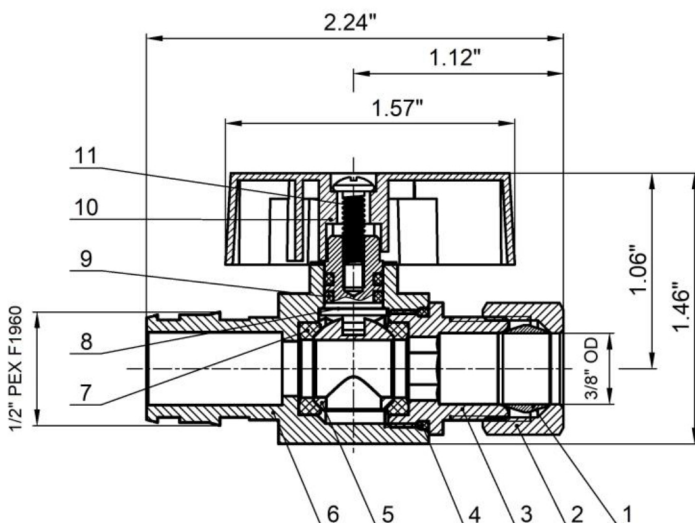


Model Numbers

4PRO12.38SSPEX

1/2" CE PEX F1960 x 3/8" OD Comp LF 1/4 Turn Straight Stop CP

Drawing



No.	Part	Material	QTY
1	Cutting Sleeve	Brass	1
2	Nut	Brass	1
3	Bonnet	C46500 Brass	1
4	O-Ring	NBR	1
5	Ball	C46500 Brass	1
6	Body	C46500 Brass	1
7	Seal Seat	PTFE	2
8	Stem	Brass	1
9	O-Ring	NBR	2
10	Handle	Zinc Alloy	1
11	Screw	Stainless Steel	1