

CODE NUMBER

3782688

DESCRIPTION

0.125 gpf, Polished Chrome Finish, 0.75 Flush Connection, Fixture Connection Top Spud, Single Flush, 0.75" Inlet, 3/4" Control Stop, True Mechanical Override, Battery, Infrared, Sloan® Exposed Sensor Urinal Flushometer.

DETAILS

- Flush Volume: 0.125 gpf (0.5 Lpf)
- Finish: Polished Chrome (CP)
- Power Type: Battery
- Battery Life: 3 years
- Valve: Diaphragm
- Valve Body Material: Semi-red Brass
- Fixture Type: Urinal
- Fixture Connection: Top Spud
- Rough-In Dimension: 11 ½" (292mm)
- Spud Coupling: ¾" (19mm)
- Supply Pipe: ¾" (19mm)
- Override: True Mechanical (TMO)
- Control Stop: 3/4"
- Inlet: 0.75"
- Flush Connection: 0.75"

FEATURES

- PERMEX® high-efficiency synthetic rubber diaphragm with dual linear filtered bypass
- Four (4) size C batteries included
- "Low Battery" Flashing LED
- "User in View" Flashing LED
- No External Volume Adjustment to Ensure Water Conservation
- True Mechanical Override Flush Button
- 72-Hour Sentinel Flush
- Sweat Solder Adapter w/Cover Tube and Cast Wall Flange with Set Screw
- Stop Seat and Vacuum Breaker Molded from PERMEX® Rubber Compound for Chloramine resistance
- 3/4" IPS screwdriver Bak-Chek® angle stop with vandal resistant stop cap



COMPLIANCES & CERTIFICATIONS



(ADA Compliant, BAA Compliant, BABAA Compliant, BREEAM Water Credit, cUPC Certified, UPC Certified, Green Globes Water Credit, LEED V4 Water Efficiency Credit, WaterSense Listed, Satisfies LEED Credits)

RECOMMENDED SPECIFICATION

Valve Body, Cover, Tailpiece and Control Stop shall be in conformance with ASTM Alloy Classification for Semi- Red Brass. Valve shall be in compliance with the applicable sections of ASSE 1037 and ANSI/ASME 112.19.2.

ELECTRICAL SPECIFICATIONS

- Battery Life: 3 years
- Flush Delay: 1s
- Sensor Range: 15" - 30" (381 - 762mm)

VALVE OPERATING PRESSURE (FLOWING)

15-80 PSI (103-552 kPa). Specific fixtures may require greater minimum flowing pressure - consult manufacturer requirements.

DOWNLOADS

- [Sloan Exposed Installation Instructions](#)
- [Sloan Exposed \(Spanish\) Installation Instructions](#)
- [EBV-500/550-A Installation Instructions](#)
- [EL-700/750-A Installation Instructions](#)
- [Control Stop Repair and Maintenance Guide](#)
- [Flush Connections Flanges Repair and Maintenance Guide](#)
- [Tail Piece Repair and Maintenance Guide](#)
- [Sloan Flushometer Repair and Maintenance Guide](#)
- [EBV500/EBV550 Repair and Maintenance Guide](#)
- [Additional Downloads](#)

Sloan 10500 Seymour Ave, Franklin Park, IL 60131

Phone: 800.982.5839 • Fax: 800.447.8329 • sloan.com

NOTES

All information contained within this document subject to change without notice.

Looking for other variations of the SLOAN 186 SFSM product?
[View the general spec sheet with all options.](#)

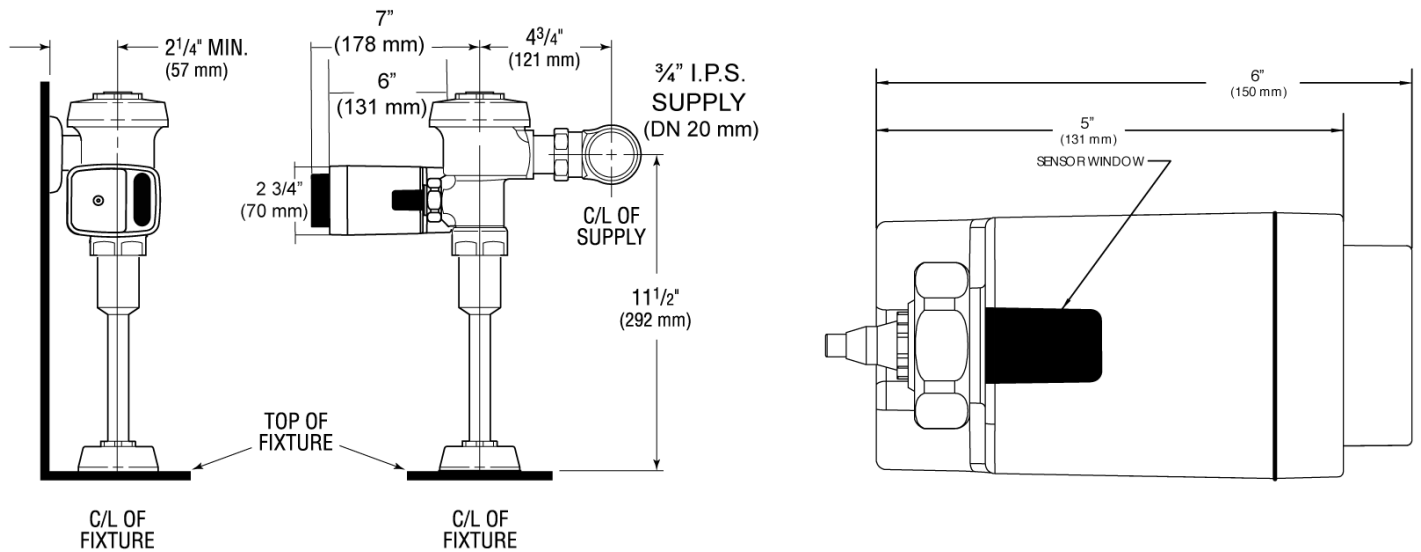
WaterSense compliant when used with a WaterSense compliant fixture

Battery life varies according to actual usage and restroom conditions.

WARRANTY

[View Warranty Information](#)

ROUGH-IN



Sloan 10500 Seymour Ave, Franklin Park, IL 60131

Phone: 800.982.5839 • Fax: 800.447.8329 • sloan.com