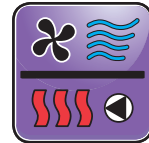


tekmar® Submittal

Boiler Control 256



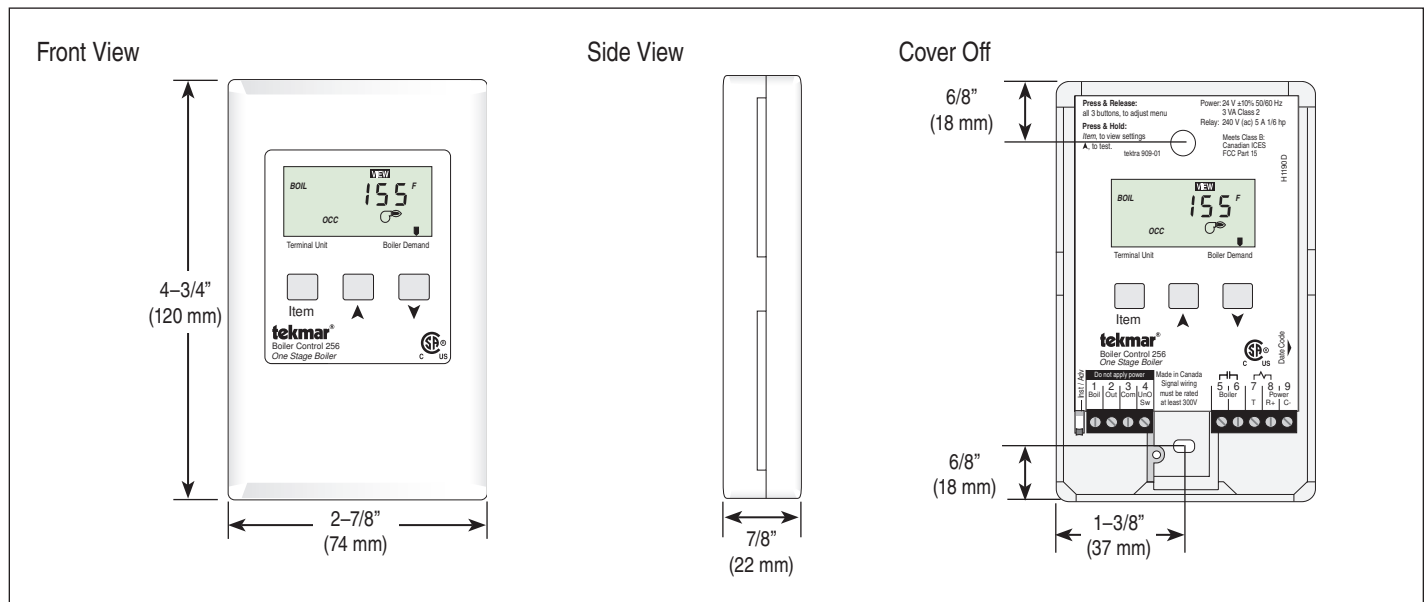
C 256

01/11

HVAC Systems Replaces: New

Job _____ Designer _____ Contact _____

The Boiler Control 256 is designed to operate a single boiler using outdoor reset. It can be used in applications ranging from a single zone of baseboard to multiple zones of fan coils and baseboard. This control regulates a single heating water temperature through outdoor reset. It is capable of controlling a single on/off boiler.



Specifications

Boiler Control 256 One Stage Boiler	
Literature	D256, A256, D001, D070
Control	Microprocessor control. This is not a safety (limit) control
Packaged weight	1.3 lb. (580 g)
Dimensions	4-3/4" H x 2-7/8" W x 7/8" D (120 x 74 x 22 mm)
Enclosure	White PVC plastic, Nema Type 1
Approvals	CSA C US, meets class B: ICES & FCC Part 15
Ambient conditions	Indoor use only, 32 to 104°F (0 to 40°C), RH ≤90% Non-condensing
Power supply	24 V ±10%, 50/60 Hz, 3 VA, Class 2
Relay	240 V (ac) 5 A 1/6 hp
Demand	24 V (ac) 2 VA
Sensors	NTC thermistor, 10 kΩ @ 77°F (25°C ±0.2°C) β=3892
-Included	Outdoor Sensor 070 and Universal Sensor 071
-Optional	tekmar type #: 033
Warranty	Limited 3 Year (See D256 for full warranty)

Energy Saving Features

- Outdoor Temperature Reset
- Setback input for night setback
- Warm Weather Shut Down
- Automatic Boiler Differential

Additional Features

- Quick setup for easy installation and programming
- Advanced settings to fine-tune building requirements
- Test sequence
- CSA C US certified (approved to applicable UL standards)

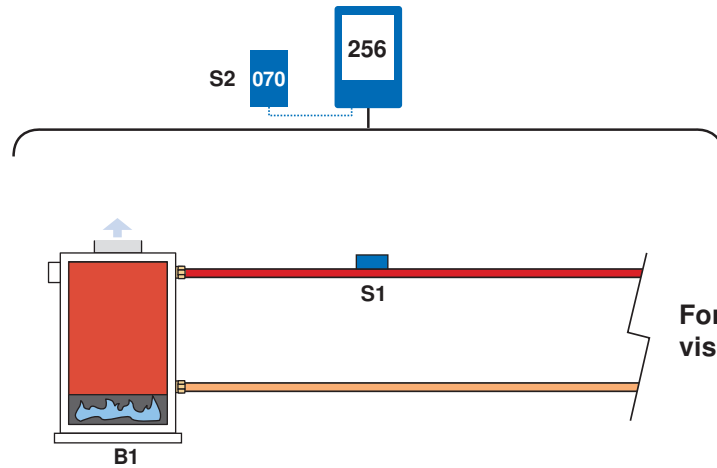
SPECIAL REQUIREMENTS

N / A

Sample Application Drawing

Below is a sample application drawing for this product. This application may include other tekmar products that are required for installation. More sample applications can be found at www.tekmarcontrols.com.

Sample Mechanical diagram

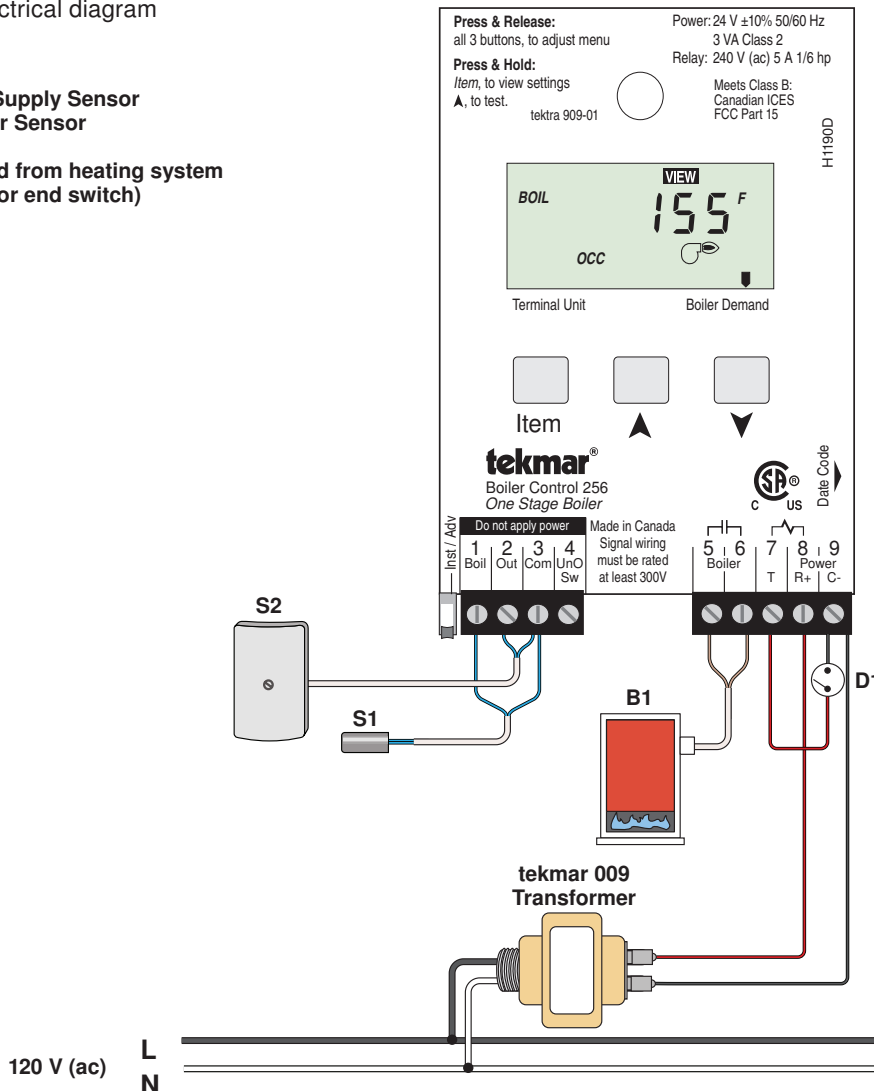


For zoning solutions by tekmar visit www.tekmarcontrols.com

Sample Electrical diagram

Legend:

- S1 = Boiler Supply Sensor
- S2 = Outdoor Sensor
- B1 = Boiler
- D1 = Demand from heating system (thermostat or end switch)



tekmar Control Systems Ltd., Canada, tekmar Control Systems, Inc., U.S.A. Head Office: 5100 Silver Star Road, Vernon, B.C. Canada V1B 3K4, 250-545-7749, Fax. 250-545-0650 Web Site: www.tekmarcontrols.com

