

# ROHL

The Experience of Authentic Luxury™

www.rohlhome.com



## LOMBARDIA 5-HOLE DECK MOUNT TUB FILLER WITH C-SPOUT

ROHL Modern Bath Lombardia

**A2214LM** (Metal Levers)  
**A2214XM** (Cross Handles)

### FEATURES

- Fixed spout
- 1/4-turn ceramic disc control cartridges
- 5 x 1 3/8" cutouts
- 8 37/64" spout reach
- 7 31/64" spout height
- Single-function brass handshower
- 6 1/2" hose length, 1/2" NPT connectors
- Matching lav sets A2208 and A2228
- 4 GPM at 60 PSI
- Brass construction

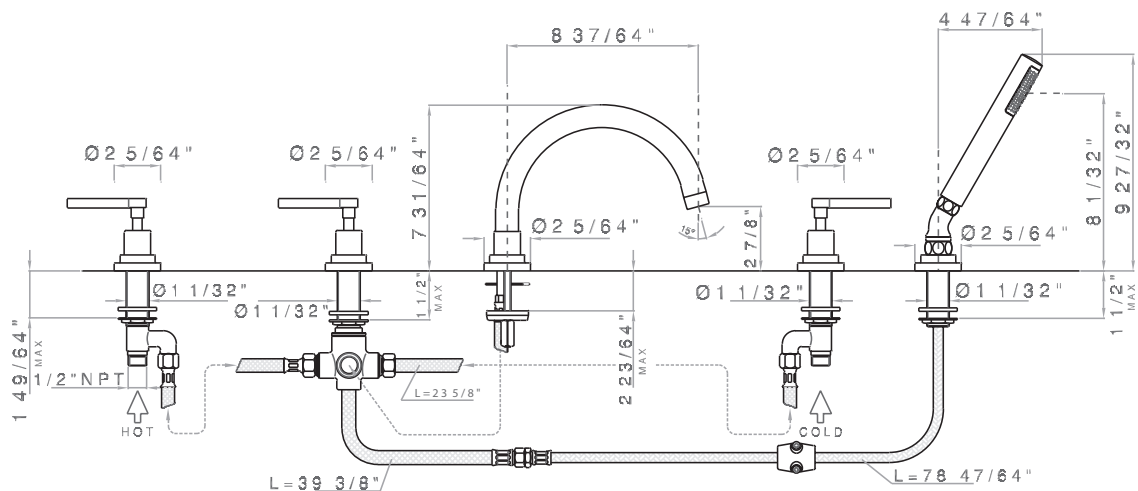
### COLORS/FINISHES

- Polished Chrome
- Polished Nickel
- Tuscan Brass
- Satin Nickel
- Matte Black

### WARRANTY

- Limited Lifetime\*

- \* No warranty on Tuscan Brass
- \* 5-year warranty on Inca Brass
- \* 5-year warranty on Matte Black





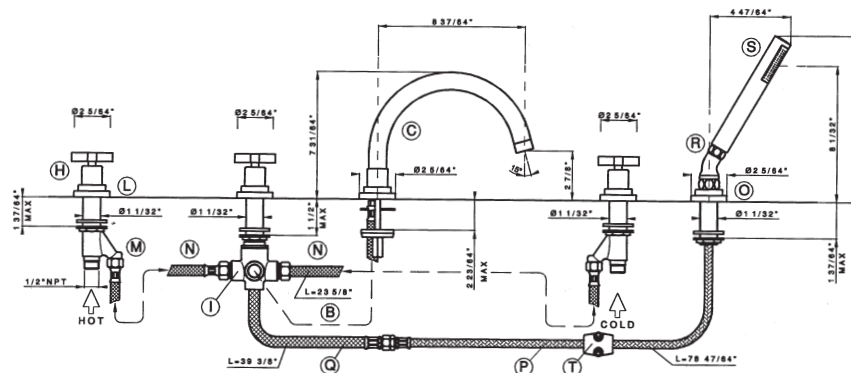
## INSTALLATION INSTRUCTIONS

### INSTALLATION AND CARE & MAINTENANCE GUIDE Installation guide

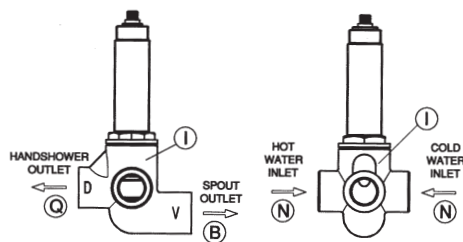
Bath mixer on edge type with 5 holes

Art. A2214XM--

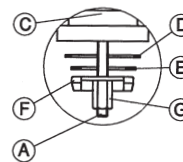
Art. A2214LM--



#### DIVERTER CONNECTIONS



#### BASE OF THE SPOUT



Installation must comply with local plumbing codes

#### a - Preparation

Flush out the pipework to remove any foreign matter.  
The hot supply should be on the left when viewed from the front of the fitting.

## INSTALLATION INSTRUCTIONS

### b – Assembly

- Assemble the threaded pivot (A) and the flexible hoses (B) at the spout (C).
- Introduce the spout (C) in the central hole of the bathtub, placing before the rubber washer (D) between the spout (C) and the bathtub.
- Fix the spout (C) placing, before the shaped rubber washer (E) and then the half-moon plate (F) and the lengthen nut (G).
- Unscrew the handle set (H) and extract. Unscrew the cap (L).
- Assemble the valve body (M), placing before the nut, the metal disc and then the rubber washer.
- Introduce the valve body (M) in the hole of the bathtub and fix it, placing before the cap (L).
- Screwing the handle set (H). ATTENTION: Be sure that the handle has no play.
- Unscrew the cap (L) just to get in touch with the cover valve (H).
- Lock the valve body (M) underside with the brass fixing nut.

### A T T E N T I O N

**Maximum fixing nut torque value = 10 lbf.ft.**

- Repeat this procedure for the cold valve and the diverter (I).
- Connect the side valves (M) to the diverter (I) using the flexible hoses (N).
- Unscrew the fixing kit of the shower holder on bath edge (O).
- Introduce the shower holder in the hole of the deck and fix it, placing before the rubber washer and then the metal disk and the nut.
- Connect the nylon flex hose (P) to the stainless steel hose (Q), placing the washer between the two parts.
- Connect the stainless steel hose (Q) to the diverter (I) with the hexagonal nut, placing the washer between the two parts.
- Introduce the other end of hose in the shower holder (O).
- Connect the hose to the curved joint (R), placing the washer between the two parts.
- Connect the hand shower (S) to the curved joint (R), placing the washer between the two parts.
- Assemble counterweight (T) at the nylon flex hose (P).
- Connect hot and cold water supplies to side valve inlet.
- Ensure all connections are firmly tightened.

### c – Before use

Turn on the Hot and Cold supplies to the faucet.

Maximum temperature for Hot water supply to the faucet is 145° F.

Minimum recommended pressure is 15 psi – Maximum recommended pressure is 75 psi.

Check the installation carefully for leaks.

If further building work is to be carried out in the vici of the faucet, it should be covered to

### Care and use for finishes

Country Bath Products are all authentic finishes that have not been coated with any product.

After each use, pat the fixture down to remove any excess water. This will prevent any water spotting or mineral build-up. Use only soft liquid soap and water to clean the surface. Use a soft brush to clean any gaps. Avoid any products that have ammonia or alcohol like Windex, 409 or Fantastik. These products can damage the finish leaving black or white spots. Never use an abrasive product like Softscrub, Comet, Ajax or Bon Ami.

For deep polishing we recommend Bruno's Wax for all finishings.

Tuscan Brass is a living finish and has no warranty. It will lighten with use. To extend the life of the finish, apply Bruno's Wax by patting it on, letting it dry and patting it off. Never rub or buff this finish.

**WARNING:** the use of cleaning products not recommended might irreparably harm the surfaces of the faucets which in such case are not covered by our warranty.

### Limescale

The faucet is fitted with an aeration device in the Hot/Cold water outlet.

This may need occasional cleaning especially in hard water areas.

This is accomplished by unscrewing the outlet in a counter clockwise direction, dismantling and leaving the inner screen mesh immersed over night in vinegar or lemon juice.

Do not use chemical descaling liquids for this purpose.

## INSTALLATION INSTRUCTIONS

# ATTENTION

### **READ THESE INSTRUCTIONS BEFORE INSTALLATION AND USE OF ALL FAUCETS AND WALL VALVES**

### **INSTALLATION and WARRANTY INSTRUCTIONS TECHNICAL INFORMATION**

All flexible hoses are designed and manufactured for use with water in exposed locations only. **Do not expose** to household cleaners, chlorine, chloride, hydrochloric acid or other corrosive chemicals.

- All connections with threads M10x1 male must be hand tighten. **Do not over tighten. Over tightening may cause damage to the hose.**

All faucets washers and o-rings are designed and manufactured for use with water. **Do not expose** to household cleaners, chlorine, chloride, hydrochloric acid or other corrosive chemicals.

Faucets are designed for use with the temperatures and pressures listed below:

- minimum cold water supply 50 °F
- maximum hot water supply 145 °F
- minimum pressure 15 psi
- maximum pressure 75 psi
- maximum fixing torque value = 10 lbf.ft.
- 

**Please note:** The recommended best pressure for best performance is between 40 psi and 60 psi. More pressure than 60 psi or less pressure than 40 psi may affect the diverting action in side spray faucets.

- Do not use any Rohl Country/ Nicolazzi faucet with sulphorous water.
- The minimum temperature for all faucets is 50 degrees F. Below 50 degrees F will void the warranty.
- When available, filter systems must be placed between hot and cold supply lines and the faucet. Improper use or non-use of filters may make diverting faucets with hand sprays perform poorly.
- Don't modify faucet and their components
- Use only original spare parts if there are replacements to be ordered.
- Installation must be made by authorized plumbers or installers. Improper installation or diagnosis of problems is not covered by the warranty.
- Yearly maintenance of cleaning and flushing is recommended.

**Operation and use of any faucet or wall valve that do not conform to these technical instructions will void the warranty.**