

UNIVERSAL BRACKETING SYSTEM

» 523-16 SERIES

PowerBar™

SPECIFICATION

Sioux Chief 523-16 Series PowerBar universal bracketing system shall be used where necessary for supporting pipe or stub outs. Bracket shall be corrosion resistant, adjust telescopically from 9"–16", and have dual fastening tabs on each end. Pilot holes for #6–#10 screws shall be provided on three sides of the bracket. System shall include screws for fastening tabs, and optional adjustable channel clamps with elastomer inserts for fastening any pipe, tube, cable, etc. System shall be approved for use with copper tube, CPVC tube, PEX/PB tube, steel pipe, CSST lines, plastic or steel conduit, and low voltage DataCom cable. System shall be UV resistant.

MATERIALS

Bracket: 20 gauge zinc-plated steel
Channel clamp: nylon 66, V2 flame rating
Clamp insert: thermoplastic elastomer
Screws: #8 × 1" Phillips, panhead, drill-tip, zinc-plated

SAFE WORKING LOAD*

| Bracket | | Channel clamps | |
|---------|-----------|----------------|-----------|
| Span | Safe load | Temp. | Safe load |
| 9" | 90 lbs. | -10°–130°F | 70 lbs. |
| 12" | 82 lbs. | 131°–179°F | 38 lbs. |
| 15" | 66 lbs. | 180°–220°F | 12 lbs. |

*Safe working load = one-half failure of centrally hung load

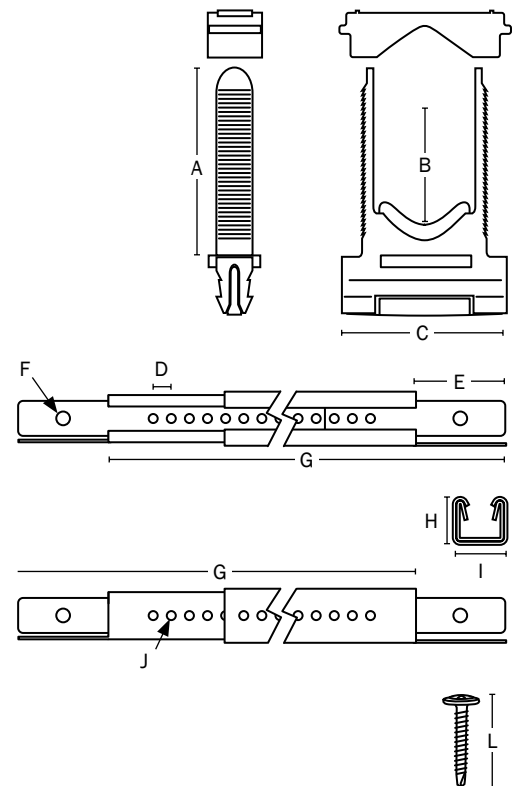
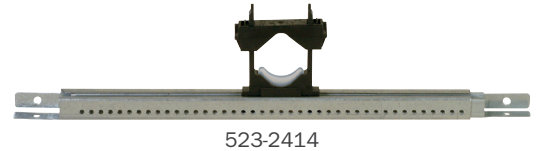
INSTALLATION

Adjust bracket telescopically to desired length (bracket must have a minimum overlap of 2"). Fasten all four tabs to building member. Slide channel clamps (if applicable) to desired location along bracket. Place conduit between clamp posts, and engage clamp bridge. Ratchet bridge of channel clamp down over both posts evenly. It is permissible to use one bracket section and fasten directly through channel to building structure.

DIMENSIONS

| | |
|-------------------------------|--------------------------------------|
| A: channel clamp post | 1 ⁷ / ₈ " |
| B: channel clamp capacity | 1/4"-1 ³ / ₈ " |
| C: channel clamp base | 1 ⁷ / ₈ " |
| D: pilot hole spacing | 0.203" on center |
| E: tab length | 1" |
| F: tab hole diameter | 0.15" |
| G: outer/inner bracket length | 9" |
| H: bracket height | 0.529" |
| I: bracket width | 0.602" |
| J: pilot hole diameter | 0.1" |
| K: metal thickness | 0.036" |
| L: tab screw length | 1" |

| | |
|------------------|-----------------|
| ITEM # SUBMITTED | _____ |
| JOB NAME | _____ |
| LOCATION | _____ |
| ENGINEER | _____ |
| CONTRACTOR | _____ |
| PO# | _____ TAG _____ |



Made in USA

Create Item Number

523-16A

e.g. 523-1624: 9"–16" adjustable steel bracket with two channel clamps and four screws.

BRACKET CONFIGURATION A

_ = no channel clamps; no screws
10 = one channel clamp; no screws
20 = two channel clamps; no screws
30 = three channel clamps; no screws

04 = no channel clamps; six screws
14 = one channel clamp; four screws
24 = two channel clamps; four screws
34 = three channel clamps; four screws