



**Dearborn®  
Brass**

4675 W. 160th St.  
Cleveland, Ohio 44135  
Ph: (800) 321-9532  
Fax: (800) 321-9535  
www.dearbornbrass.com

**SUBMITTAL SPECIFICATION**

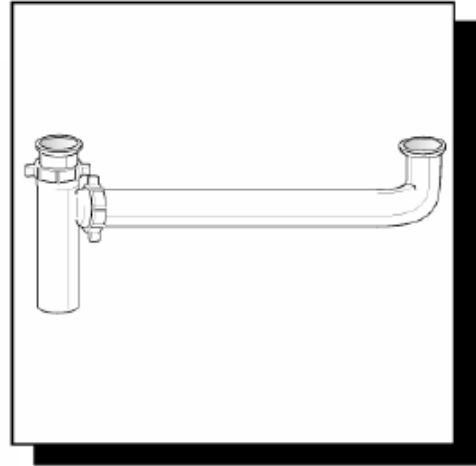
## 1-½" PLASTIC TUBULAR HI-LINE END OUTLET WASTE

**Engineering Specification:** Dearborn Brass 1-½" Plastic Tubular Hi-Line End Outlet Waste is designed for use in tubular drain applications. Available in white or black polypropylene plastic. Options include Baffle Tee, 16" or 21" waste arm lengths and telescopic tee.

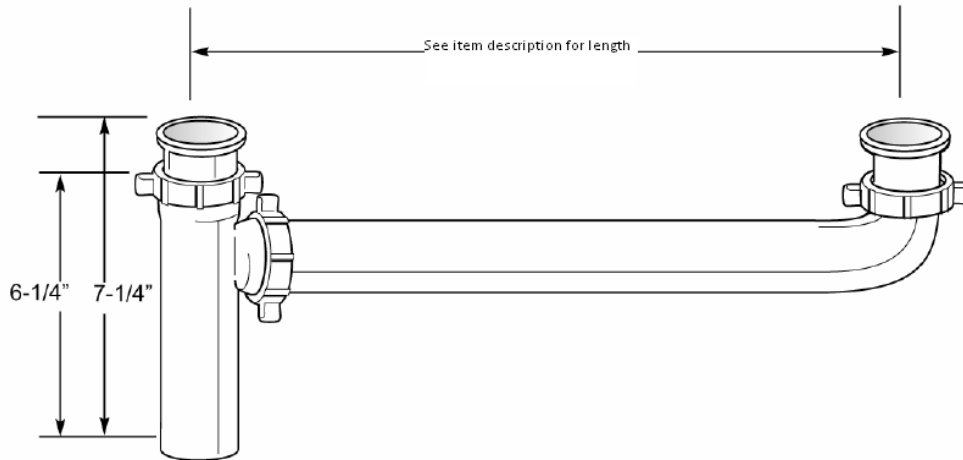
### Job Reference

### DESCRIPTION

- Made of polypropylene plastic
- Plastic Tubular Hi-Line End Outlet Waste
  - Waste Arm
  - Tee
  - (2) Nuts
  - (1) Washer



- Meets ASTM F 409
- IAPMO Listed



✓	Product No.	Description	Carton Quantity	Carton Weight (lbs)
	P9121	1-½" x 16 Center to Center, Hi-Line with Baffle Tee – White	25	14.4
	A9121	1-½" x 16 Center to Center, Hi-Line with Baffle Tee – Black	25	13.1
	P9121T	1-½" x 21" End Outlet Waste, Hi-Line with Telescopic Tee – White	25	13.0

Data is subject to manufacturing tolerances.