

tekmar® Submittal

tekmarNet® 4 Zone Manager 335



Zoning

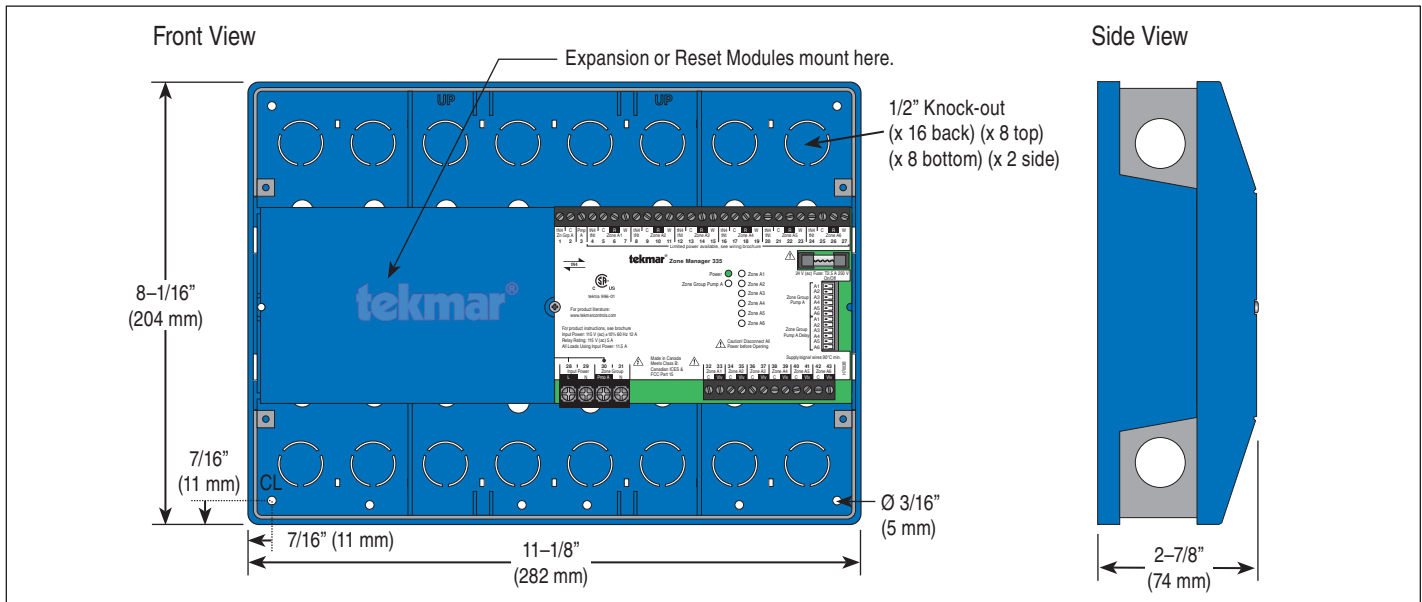
C 335

01/11

Replaces: New

Job _____ Designer _____ Contact _____

The tekmarNet® 4 Zone Manager 335 is designed to provide a zoning solution for heating systems. It can be used in applications ranging from baseboard zones, to radiant heating manifolds. This product can operate up to 6 zone valves. It is capable of providing power for up to 6 tekmarNet® 4 or stand alone thermostats and energizing their respective 24 V (ac) zones, as well as providing a powered Zone Group Pump (powered end switch) contact to enable an external device such as a manifold pump.



Specifications

tN4 Zone Manager 335 Six Zone Valves	
Literature	D335, W335, J335
Control	Microprocessor control. This is not a safety (limit) control
Packaged weight	5.5 lb. (2490 g)
Dimensions	8-1/16" H x 11-1/8" W x 2-15/16" D (204 x 282 x 74 mm)
Enclosure	Blue PC+ABS plastic with metal top and bottom conduit connection walls, NEMA type 1
Approvals	CSA C US, meets Class B: ICES & FCC Part 15
Ambient conditions	Indoor use only, 32 to 122°F (0 to 50°C), RH ≤80% to 88°F (31°C), down to 50% above 104°F (40°C), Altitude <6560 ft. (2000 m), Installation Category II, Pollution Degree 2
Power supply	115 V (ac) +/- 10%, 60 Hz, 12 A
Transformer power available	24 V (ac) 50 VA, fuse T2.5 A 250 V
Zone group pump A relay	115 V (ac) 5 A
Combined load on input power	11.5 A max
Group pump A demand	24 V (ac) < 0.1 VA
Warranty	Limited 3 Year (See D335 for full warranty)

Features

- tekmarNet® 4 compatible
- Internal 50 VA transformer
- Six powered 24 VA zone valve outputs
- Powered 120 V zone group pump output
- Simple wiring
- Time delay for thermal motor zone valves
- CSA C US certified for use in USA and Canada
- Provides power to tekmarNet® 4 reset module

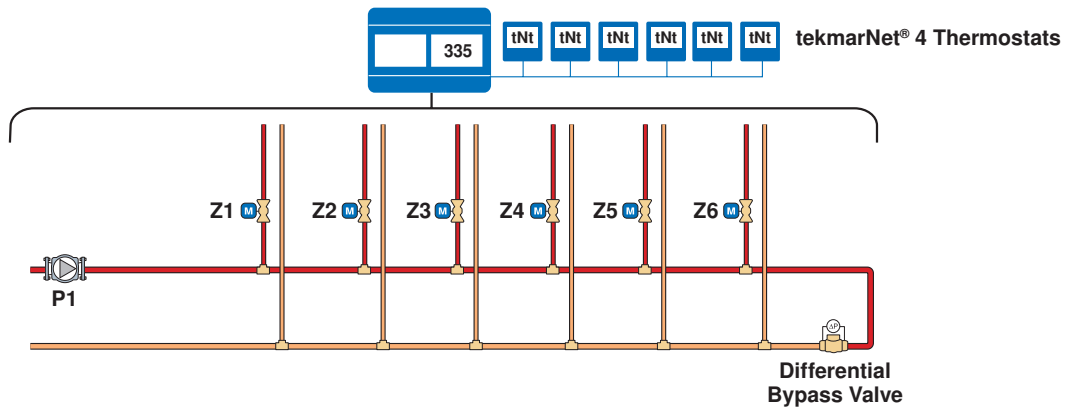
SPECIAL REQUIREMENTS

Designed for use with tekmarNet® 4 Thermostats.

Sample Application Drawing

Below is a sample application drawing for this product. This application may include other tekmar products that are required for installation. More sample applications can be found at www.tekmarcontrols.com.

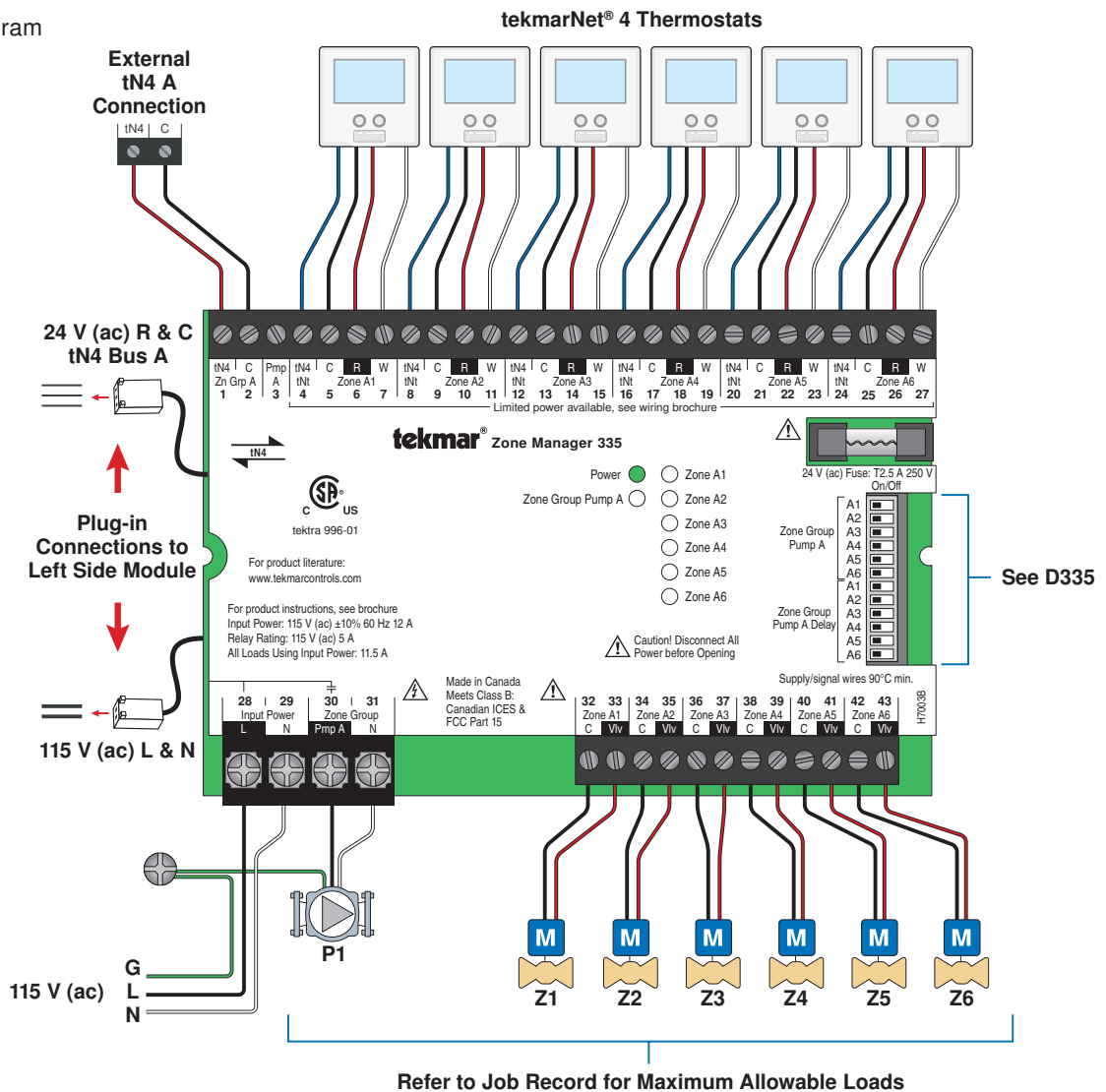
Sample Mechanical diagram



Sample Electrical diagram

Legend

- P1 = Zone group pump
- Z1 = Zone 1
- Z2 = Zone 2
- Z3 = Zone 3
- Z4 = Zone 4
- Z5 = Zone 5
- Z6 = Zone 6



tekmar Control Systems Ltd., Canada, tekmar Control Systems, Inc., U.S.A. Head Office: 5100 Silver Star Road, Vernon, B.C. Canada V1B 3K4, 250-545-7749, Fax. 250-545-0650 Web Site: www.tekmarcontrols.com

