

Features

- Vitreous china.
- Wall-mount.
- Deep squared basin.
- No faucet holes; requires wall-mount faucet.
- 1-1/2" (38 mm) top spud.
- Blow-out action flushing rim.
- 21-1/2" (546 mm) x 25" (635 mm)
- Strainer not included.

Recommended Products/Accessories

K-8935 Stainless Steel Rim Guard
K-13864 Sink Strainer
K-8801 Sink Strainer
K-8799 Sink Strainer

Included Components

Additional Components:
1 1/2" (38mm) top stud



Codes/Standards

ASME A112.19.2/CSA B45.1


KOHLER® One-Year Limited Warranty

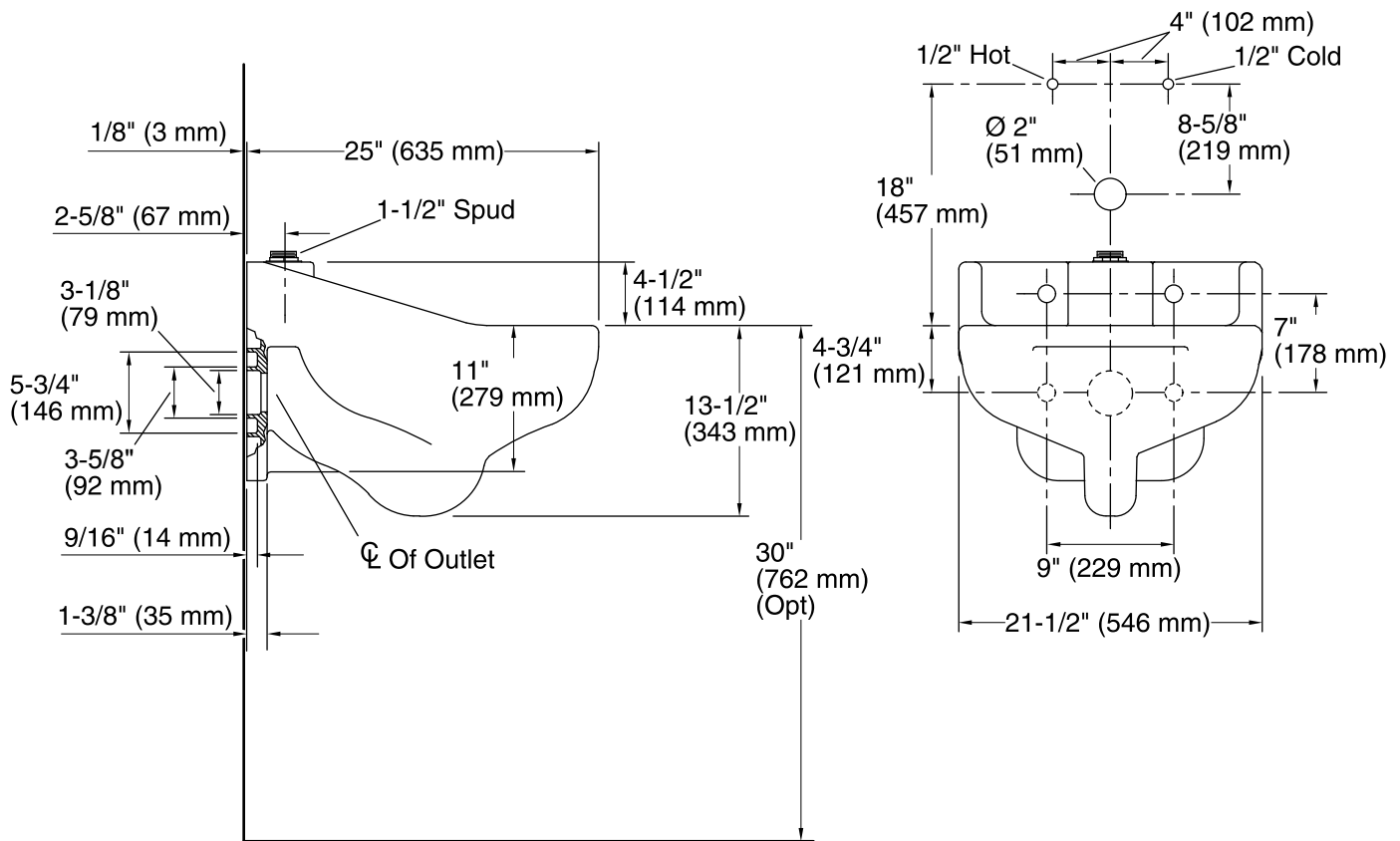
See website for detailed warranty information.

Available Colors/Finishes

Color tiles intended for reference only.

Color	Code	Description
-------	------	-------------

	0	White
--	---	-------



Technical Information

All product dimensions are nominal.

Bowl configuration: Single

Installation: Top-mount

Bowl area (Only): Length: 18" (457 mm)

Width: 18" (457 mm)

Water depth: 6-1/4" (159 mm)

Notes

Install this product according to the installation instructions.

Minimum flowing pressure required: 25 psi (172.4 kPa)

Minimum flow rate required: 25 gpm (94.6 lpm)