

## Features

- Rust-free anodized aluminum cabinet box and doors.
- For recessed or surface-mount installation.
- Requires K-99012 side mirror kit (sold separately) for surface mount installation.
- Triple doors with full-overlay mirrors.
- Reversible left-hand or right-hand door hinge option.
- Nine adjustable glass shelves
- Vertically adjustable 3x magnifying mirror on inside of door.
- 110° door swing with slow-close hinges
- Triple-mirror design - front of doors, back of doors, and interior back of cabinet.
- Hang-and-secure mounting system for easier surface-mount installation.
- 40" (1016 mm) width x 30" (762 mm) height x 4-3/4" (121 mm) depth

## Required Accessories

K-99675 Medicine Cabinet Wood Side Kit

## Recommended Accessories

K-99662-40 Medicine Cabinet Surround  
K-99661-15 Medicine Cabinet Surround  
K-99661-24 Medicine Cabinet Surround  
K-99661-40 Medicine Cabinet Surround  
K-99663-40 Medicine Cabinet Surround

## Optional Accessories

K-99012 Side Mirror Kit

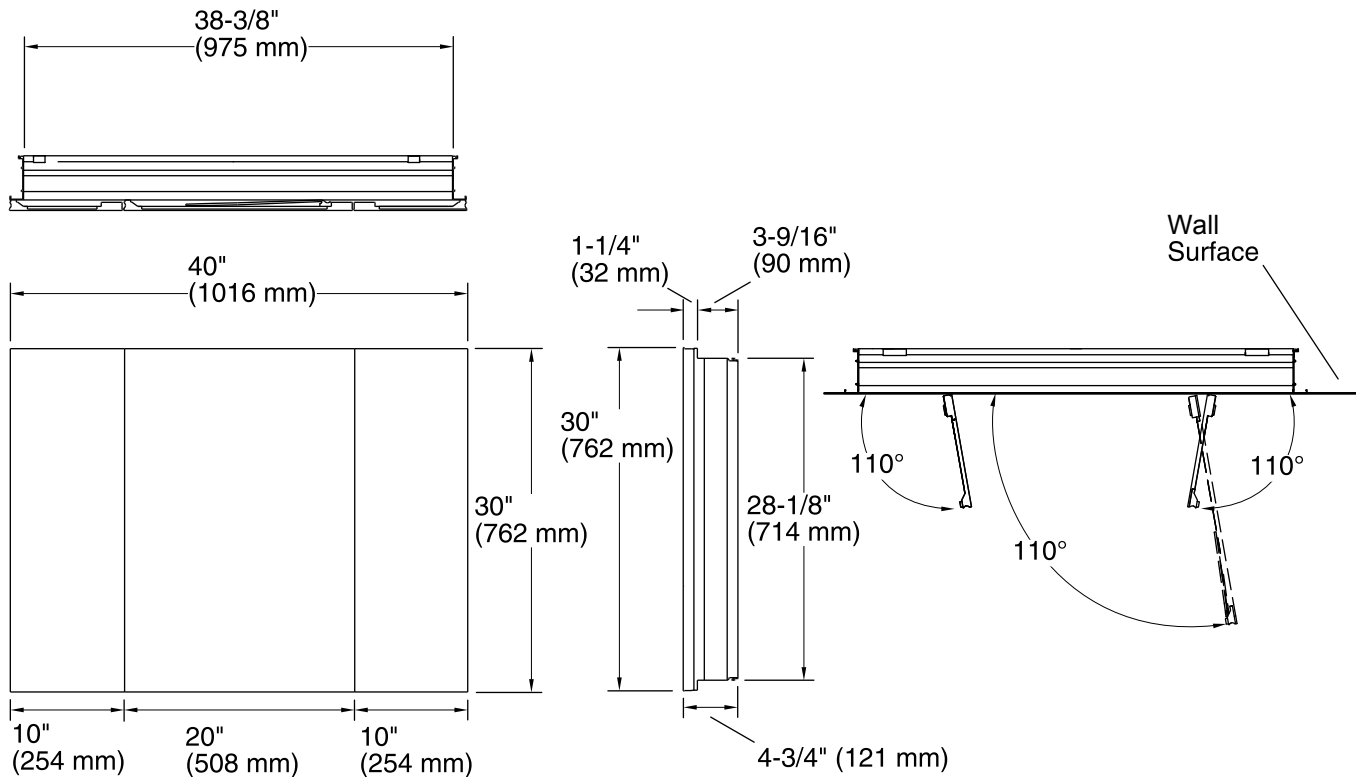


## Codes/Standards

None Applicable

## KOHLER® One-Year Limited Warranty

See website for detailed warranty information.



## Technical Information

All product dimensions are nominal.

## Notes

Install this product according to the installation guide.

Cutout for recess-mount installation: 38-1/2" (978 mm) width x 28-1/4" (718 mm) height x 3-11/16" (94 mm) depth

**IMPORTANT!** For recess mounting, the wall cavity must be framed and cabinet secured to framing studs. Reroute any electrical wires or water supply piping from the wall cavity. If you encounter drain or vent piping, or if your wall is load-bearing, consult a professional before proceeding.

**CAUTION:** Risk of property damage. For surface mounting, use anchors (not provided) rated for the loaded weight of this product. Refer to the anchor manufacturer's instructions.

When determining the height of the cabinet, ensure the mirrored door will clear all obstacles (such as a faucet and lighting). A minimum distance of 3" (76 mm) is required.