

Product information presented here reflects conditions at time of publication. Consult factory regarding discrepancies or inconsistencies.

PUMP COMPANY

Zoeller Family of Water Solutions™

MAIL TO: P.O. BOX 16347 • Louisville, KY 40256-0347
 SHIP TO: 3649 Cane Run Road • Louisville, KY 40211-1961
 (502) 778-2731 • 1 (800) 928-PUMP • FAX (502) 774-3624

visit our web site:
www.zoeller.com

COMPARE THESE FEATURES

- Non-clogging vortex impeller.
- Durable cast construction. Cast iron switch case, motor and pump housing, base and impeller. No sheet metal parts to rust or corrode. All cast iron class 30 30000# tensile strength.
- Stainless steel screws, bolts, float rod, handle, guard and arm and seal assembly.
- Shaft Seal - Carbon & ceramic rotary face seal, with stainless steel wetted parts.
- UL Listed 3-wire neoprene cord and plug. 10 ft. standard for automatic. 15 ft. standard for nonautomatic.
- Upper and lower ball bearing running in a bath of oil.
- Maximum temperature for sewage or dewatering 130°F (54°C).
- Motor - 60 Hz, 1750 RPM, oil-filled, hermetically sealed, automatic reset thermal overload protected (1 Ph and Auto 3 Ph).
- All models are available in 2" or 3" discharge.
- All models pass 2 inch spherical solids.
- Automatic units available with float operated, submersible (NEMA 6) mechanical switch. Available in both 1 and 3 Phase Units.**
- On point 15¼", Off point 5¼".
- Corrosion resistant powder coated epoxy finish.
- Major width 13 9/16". Major height 19 9/16". (Single seal pumps)

MODELS 4282-4284 DOUBLE SEAL PUMPS (nonauto only)

- Protects motor from seal leaks.
- Improved bearing lubrication.
- Helps eliminate seal and bearing damage from dry runs.
- Major width 13 9/16". Height 21 7/16".

NOTE: The sizing of effluent systems normally requires variable level float(s) controls and properly sized basins to achieve required pumping cycles or dosing timers with nonautomatic pumps.



Tested to UL Standard
UL778

282 - 284 Single Seal Series
4282 - 4284 Double Seal Series

(For Pump Prefix Identification see News & Views 0052)



“WASTE-MATE”
 SUBMERSIBLE
SEWAGE
 OR DEWATERING PUMP

2" OR 3" FLANGED DISCHARGE • PASSES 2" SOLIDS



SINGLE SEAL PUMP



AUTOMATIC THREE PHASE PUMP**



DOUBLE SEAL PUMP



POWDER COATED TOUGH™

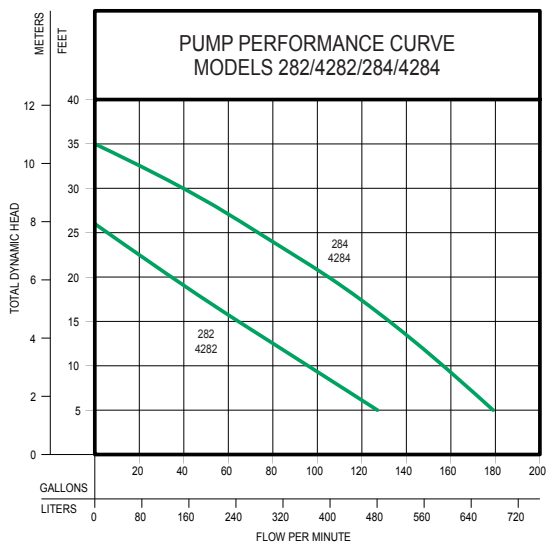
MODELS AVAILABLE

- Automatic or Nonautomatic with single seal
- Nonautomatic with double seals
- 2" or 3" discharge.

- Single phase or three phase motors available.
- See selection chart for specifications or specific models.

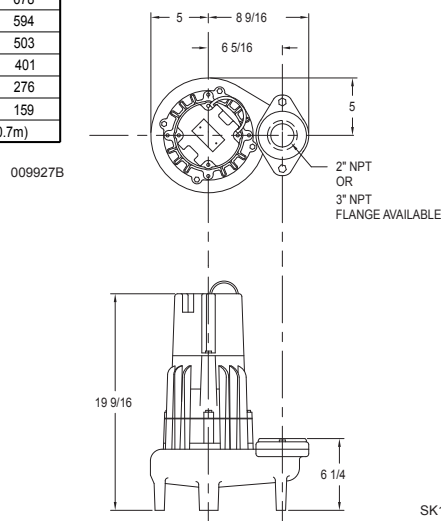
*NOTE: No UL Listing or CSA Certification for Extra Duty (ED) pumps. See back page for UL & CSA Listings.

**THREE PHASE AUTOMATIC UNITS AVAILABLE IN 230V SINGLE SEAL ONLY.



| MODELS | | 282/4282 | | 284/4284 | |
|---------------|--------|---------------|--------|----------------|--------|
| Feet | Meters | Gal. | Liters | Gal. | Liters |
| 5 | 1.5 | 127 | 481 | 179 | 678 |
| 10 | 3.0 | 96 | 363 | 157 | 594 |
| 15 | 4.6 | 64 | 242 | 133 | 503 |
| 20 | 6.1 | 34 | 129 | 106 | 401 |
| 25 | 7.6 | 6 | 23 | 73 | 276 |
| 30 | 9.1 | -- | -- | 42 | 159 |
| Shut-off Head | | 26 ft. (7.9m) | | 35 ft. (10.7m) | |

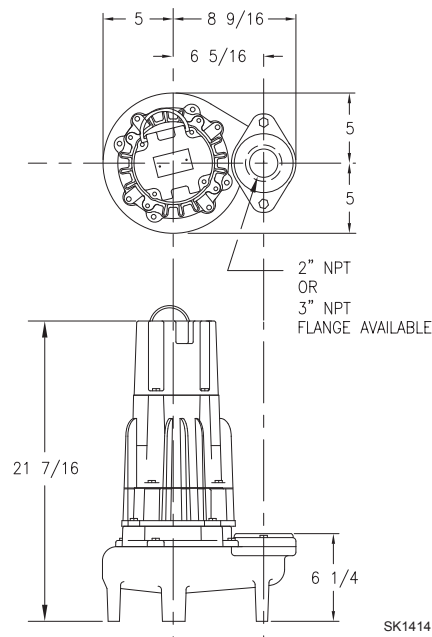
**Single Seal Design
Weight 81-86 lbs.**



CONSULT FACTORY FOR SPECIAL APPLICATIONS

- Three phase pumps are available in 200V, 230V, 460V, or 575V. 230V three phase is available in automatic and nonautomatic models.
- Electrical alternators, for duplex systems, are available and supplied with a high water alarm, refer to FM0486.
- Simplex Panel with high water alarm, refer to FM1596.
- Variable level control switches are available for controlling single and three phase systems.
- Double piggyback variable level float switches are available for variable level long cycle controls.
- Long cords are available in lengths or 25 - 35 - 50 feet.
- Simplex and duplex basins are available.
- Refer to FM1922 and FM0806 for temperatures over 130°F.

**Double Seal Design
Weight 88-91 lbs.**



| SPECIFICATIONS | | | | | | | | CONTROL SELECTION | | Listings | |
|-------------------|-------------------|------|-------|------|------|-----|-------------|-------------------|--------|----------|----|
| Single Seal Model | Double Seal Model | Volt | Phase | Mode | Amps | HP | Cord Length | Simplex | Duplex | cCSAus | UL |
| M282 | -- | 115 | 1Ph | Auto | 10.3 | 1/2 | 10 | 1 | -- | Y | Y |
| N282 | N4282 | 115 | 1Ph | Non | 10.3 | 1/2 | 15 | 2 or 3 | 4 | Y | Y |
| D282 | -- | 230 | 1Ph | Auto | 5.0 | 1/2 | 10 | 1 | -- | Y | Y |
| E282 | E4282 | 230 | 1Ph | Non | 5.0 | 1/2 | 15 | 2 or 3 | 4 | Y | Y |
| * H282 | -- | 200 | 1Ph | Auto | 6.1 | 1/2 | 10 | 1 | -- | Y | N |
| * I282 | * I4282 | 200 | 1Ph | Non | 6.1 | 1/2 | 15 | 3 | 4 | Y | N |
| * J282 | * J4282 | 200 | 3Ph | Non | 3.6 | 1/2 | 15 | 3 | 4 | Y | Y |
| * F282 | * F4282 | 230 | 3Ph | Non | 3.0 | 1/2 | 15 | 3 | 4 | Y | Y |
| * CF282 | -- | 230 | 3Ph | Auto | 3.0 | 1/2 | 15 | 1 | -- | N | Y |
| * G282 | * G4282 | 460 | 3Ph | Non | 1.7 | 1/2 | 15 | 3 | 4 | Y | Y |
| * BA282 | * BA4282 | 575 | 3Ph | Non | 1.4 | 1/2 | 15 | 3 | 4 | Y | N |
| D284 | -- | 230 | 1Ph | Auto | 8.9 | 1 | 10 | 1 | -- | Y | Y |
| E284 | E4284 | 230 | 1Ph | Non | 8.9 | 1 | 15 | 2 or 3 | 4 | Y | Y |
| * H284 | -- | 200 | 1Ph | Auto | 9.3 | 1 | 10 | 1 | -- | Y | N |
| * I284 | * I4284 | 200 | 1Ph | Non | 9.3 | 1 | 15 | 3 | 4 | Y | N |
| * J284 | * J4284 | 200 | 3Ph | Non | 5.5 | 1 | 15 | 3 | 4 | Y | Y |
| * F284 | * F4284 | 230 | 3Ph | Non | 5.0 | 1 | 15 | 3 | 4 | Y | Y |
| * CF284 | -- | 230 | 3Ph | Auto | 5.0 | 1 | 15 | 1 | -- | N | Y |
| * G284 | * G4284 | 460 | 3Ph | Non | 2.6 | 1 | 15 | 3 | 4 | Y | Y |
| * BA284 | * BA4284 | 575 | 3Ph | Non | 2.2 | 1 | 15 | 3 | 4 | Y | N |

* No Molded Plug

For information on additional Zoeller products refer to catalog on Piggyback Variable Level Float Switches, FM0477; Electrical Alternator, FM0486; Sump/Sewage Basins, FM0487; Simplex Pump Control, FM1596; Alarm Systems, FM0732; and Disconnect/Rail Systems, FM0787.

CAUTION
All installation of controls, protection devices and wiring should be done by a qualified licensed electrician. All electrical and safety codes should be followed including the most recent National Electric Code (NEC) and the Occupational Safety and Health Act (OSHA).

RESERVE POWERED DESIGN

For unusual conditions a reserve safety factor is engineered into the design of every Zoeller pump.

© Copyright 2014 Zoeller Co. All rights reserved.