

## Ultra Commercial / SlimFit Control Parts

Fig. No	Part No.	Description
1	383-500-603	3-Amp, Fast-Blow ATO (5 Fuses)
2	383-500-604	12-Amp, Fast-Blow AG (5 Fuses)
3	383-600-062	CSD-1 U-Control Module (Includes Replacement Instructions)
4	383-500-658	Non-CSD-1 U-Control Module (Includes Replacement Instructions)
5	383-600-060	Expansion Module
6	383-500-659	Display Board Assembly
7	383-600-042	Display Bracket Kit
8	383-600-072	Supply Temperature Sensor Replacement Kit, Dual Sensor (Sensor Only) -- 12Kohm, ¼" N.P.T)
9	383-600-071	Return Temperature Sensor Replacement Kit, Single Sensor (Sensor and Bushing) -- 12Kohm, ¼" N.P.T))
10	383-500-125	Outdoor Temperature Sensor--12Kohm
11	383-500-601	System Temperature Sensors -- 12Kohm
12	383-500-600	Flue Temperature Sensor Replacement Kit (Sensor and Grommet) -- 12Kohm)
13	383-500-602	Heat Exchanger Temperature Sensor --12Kohm
14	383-500-205	On/Off Power Switch -- 16A@125 Volt
15	383-500-628	Transformer, 120V/24V, 50VA
16	570-218-054	Pressure/Temperature Gauge Assembly - 120 PSI
17	591-391-959	120 Volt, 3-Wire Receptacle, Pre-Wired
18	383-600-073	Air Pressure Switch Kit (Includes Switch, Tube and Mounting Screws) 3.25" W.C.
N/S	562-302-525	Hose Barb For Air Pressure Switch Sensing Tube Connection -- ⅛" RP
19	570-350-230	Blower Power Relay -- DPDT,10A-120 Volt
N/S	383-500-642	Ultra U-Control Terminal Block Kit -- Includes Screwdriver
	383-500-633	Expansion Module To U-Control Wire Harness, RS485
	591-391-961	Expansion Module To Display Harness
	383-600-057	Upper Line Voltage Wire Harness (EP2, EP4, Power Input and Blower Relay)
	591-391-958	Lower Line Voltage Wire Harness
	383-600-058	Upper Low Voltage Wire Harness
	383-600-059	Gas Pressure Switch Harness
	591-391-956	Lower Low Voltage Wire Harness (P4 Through P9 and Others)
	591-391-960	Gas Valve Harness
383-500-641	Jumper For Low Voltage Terminal Blocks ( 5 Jumpers)	
20	590-318-011	Flue Temperature Sensor Gasket

GAS

## Ultra Commercial / Slimfit Piping Parts

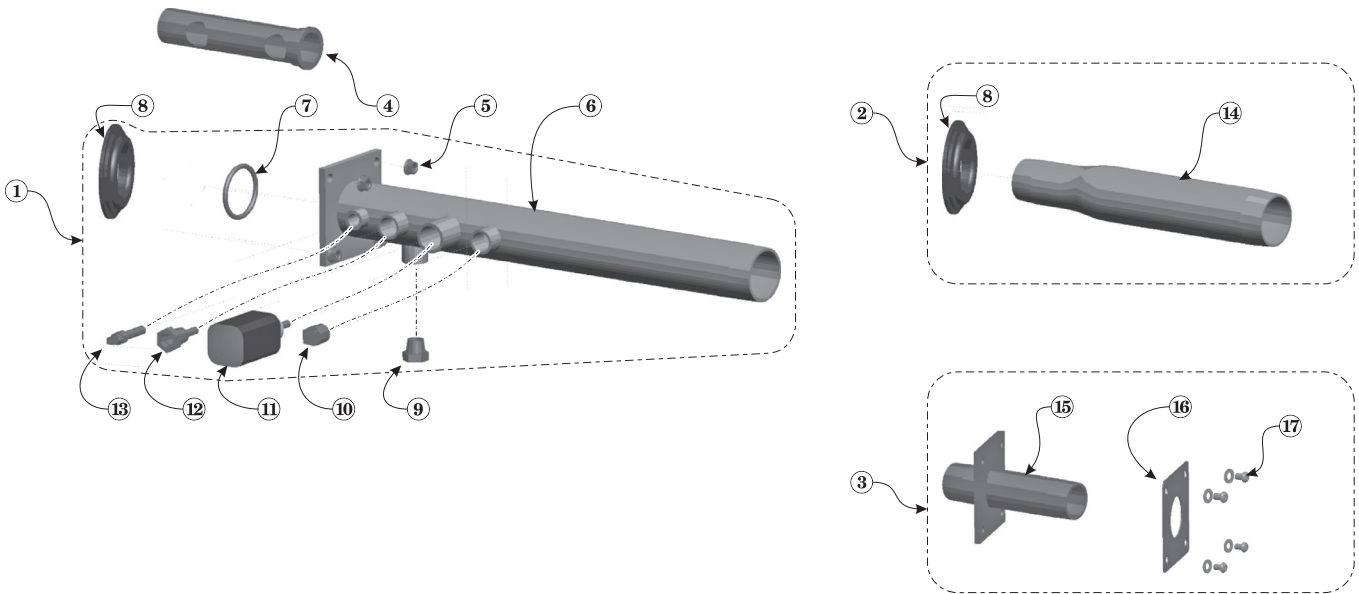


Fig. No	Part No.	Description	Boiler Models
1	383-600-055	Supply Manifold Kit (Includes Items 5 through 8 and 9 through 13)	550/750
2	383-600-035	Return Pipe Kit (Includes Items 8 and 14)	550/750
3	383-600-056	Inlet Gas Pipe Kit (Includes Items (15, 16, and 17)	550/750
4		Supply Distribution Pipe (See Heat Exchanger Diagram)	
5	In Item 1	Serrated-Flange Nut, M8-1.25 (Four Required)	550/750
6	In Item 1	Supply Distribution Manifold, 2" N.P.T	550/750
7	590-318-039	Section/Manifold O-ring, 60 Mm (Included In Item 1)	550/750
8	562-248-747	Supply/Return Pipe Grommet, 2" N.P.T X 3½" Diameter (Included In Item 1 & 2)	550/750
9	383-500-275	P/T Gauge Pressure Sensor Line Check Valve	550/750
10	In Item 1	Plug, ½" NPT	550/750
11	383-600-069	Low Water Cut-Off	550/750
12	383-500-270	P/T Gauge Temperature Sensor Well	550/750
13	383-600-072	Supply Temperature Sensor	
14	In Item 2	Return Pipe, 2" N.P.T	550/750
15	In Item 3	Inlet Gas Pipe With Flange	550/750
16	590-300-017	Inlet Gas Pipe Gasket (Included in Item 3)	550/750
17	In Item 3	Screws, ⅜-16 X ½", Button Head; Washers, ⅜" SAE (4 of Each Required)	550/750