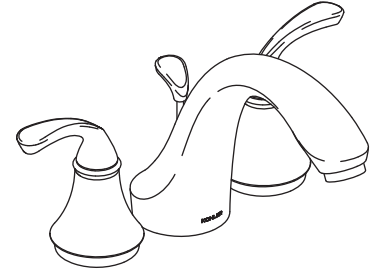


**BATH FAUCET TRIM  
K-T10292**

**Features**

- Brass construction
- Bath- or deck-mount
- ADA compliant lever handles
- 7" (178 mm) spout with slip-fit connection and diverter knob



**Codes/Standards Applicable**



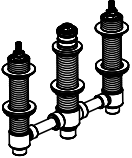
Specified model meets or exceeds the following:

- ASME A112.18.1/CSA B125.1

**Colors/Finishes**

- CP: Polished Chrome
- Other: Refer to Price Book for additional colors/finishes

**Specified Model**

Model	Description				
K-T10292-4	Faucet with sculpted lever handles	<input type="checkbox"/> CP	<input type="checkbox"/> Other_____		
K-T10292-4A	Faucet with traditional lever handles			<input type="checkbox"/> CP	<input type="checkbox"/> Other_____
<b>Required Accessory</b>					
K-438-K	1/2" High-flow ceramic disc valve system with integral diverter			<input type="checkbox"/> NA	
<b>Optional Accessories</b>				<b>Colors/Finishes</b>	
K-10286	Handshower	<input type="checkbox"/> CP	<input type="checkbox"/> Other_____		
K-368	Deck handshower holder	<input type="checkbox"/> CP	<input type="checkbox"/> Other_____		

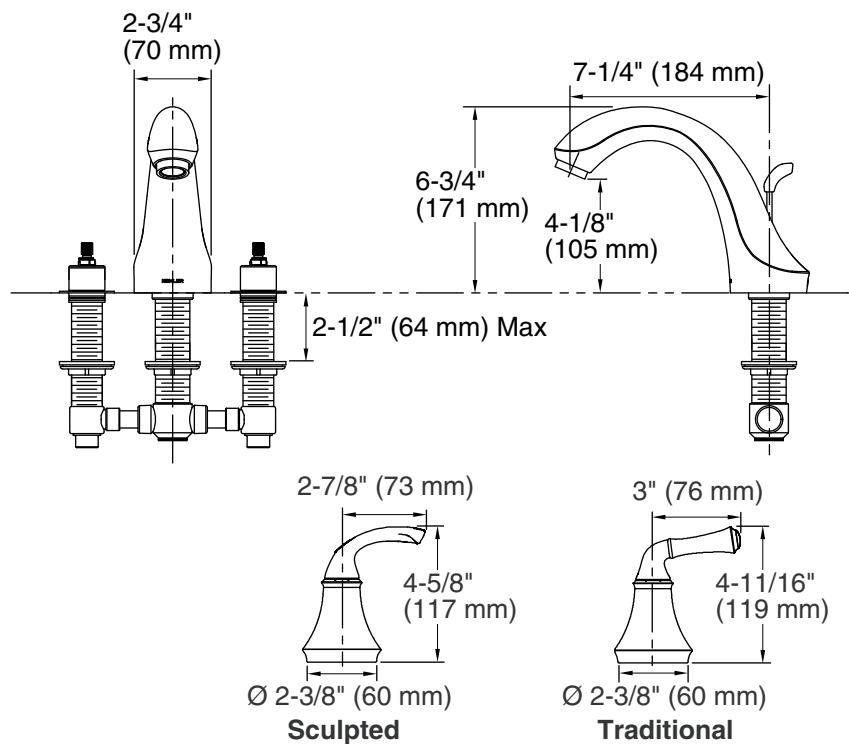
**Product Specification**

Two-handle bath- or deck-mount bath faucet trim shall be of brass construction. Product shall install to bath or finished deck. Product shall include a 7" (178 mm) spout with slip-fit connection and diverter knob. Product shall include lever handles. Faucet trim shall be Kohler Model K-T10292-\_\_\_\_\_-\_\_\_\_\_- and valve system shall be Kohler Model K-438-K-NA.

# FORTÉ®

## Installation Notes

Install this product according to the installation guide.



## Product Diagram