



**Dearborn®  
Brass**

4675 W. 160th St.  
Cleveland, Ohio 44135  
Ph: (800) 321-9532  
Fax: (800) 321-9535  
www.dearbornbrass.com

**SUBMITTAL SPECIFICATION**

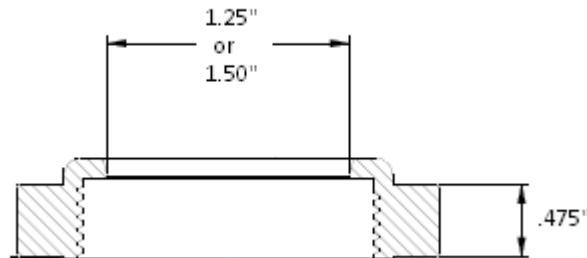
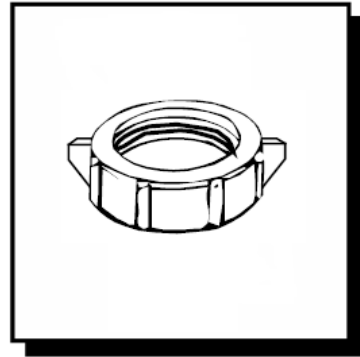
**PLASTIC TUBULAR  
BULK SLIP JOINT NUTS**

**Engineering Specification:** Dearborn Brass Plastic Tubular Slip Joint Nuts are designed for use in tubular drain applications. Available in white or black polypropylene plastic. Options include 1- $\frac{1}{4}$ " or 1- $\frac{1}{2}$ " size nuts.

**Job Reference**

**DESCRIPTION**

- Made of polypropylene plastic



✓	Product No.	Description	Carton Quantity	Carton Weight (lbs)
	P9001A	1- $\frac{1}{4}$ " Slip Joint Nut – White	100	2.2
	P9001	1- $\frac{1}{2}$ " Slip Joint Nut – White	100	3.1
	A9001	1- $\frac{1}{2}$ " Slip Joint Nut – Black	100	3.1

Data is subject to manufacturing tolerances.