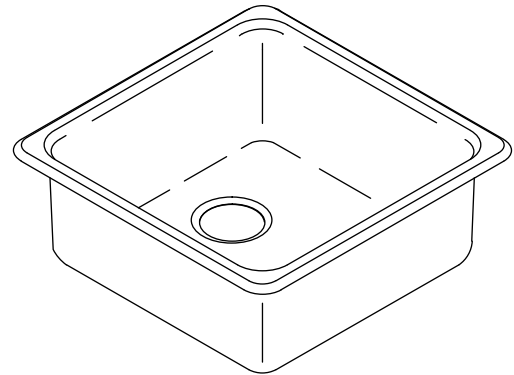


Features

- KOHLER cast iron
- Acid-resistant enamel finish
- Single bowl
- Includes installation hardware
- Top-mount
- 20-7/8" (530 mm) x 20-7/8" (530 mm) (top-mount)

TOP-MOUNT OR UNDER-MOUNT KITCHEN SINK K-6587



Codes/Standards Applicable

Specified model meets or exceeds the following:

- ASME A112.19.1/CSA B45.2

Colors/Finishes

- 0: White
- Other: Refer to Price Book for additional colors/finishes

Accessories

- CP: Polished Chrome
- Other: Refer to Price Book for additional colors/finishes

Specified Model

Model	Description	Colors/Finishes	
K-6587	Kitchen sink	<input type="checkbox"/> 0	<input type="checkbox"/> Other _____
Optional Accessories			
K-6516	Bottom bowl rack	<input type="checkbox"/> 0	<input type="checkbox"/> Other _____
K-8801	Duostrainer® sink strainer	<input type="checkbox"/> CP	<input type="checkbox"/> Other _____

Product Specification

The kitchen sink shall be made of cast iron with acid-resistant enamel finish. Sink shall be single bowl and shall include installation hardware. The top-mount sink shall be 20-7/8" (530 mm) in length and 20-7/8" (530 mm) in width. Sink shall be Kohler Model K-6587-_____.

IRON/TONES™

Technical Information

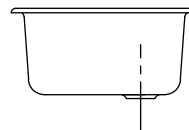
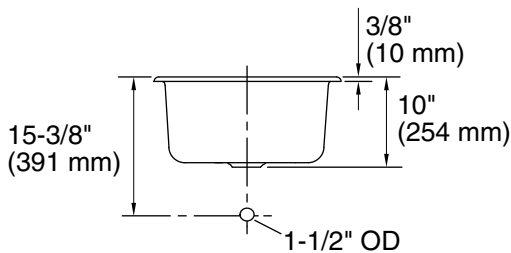
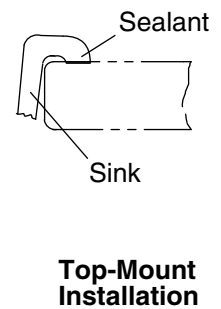
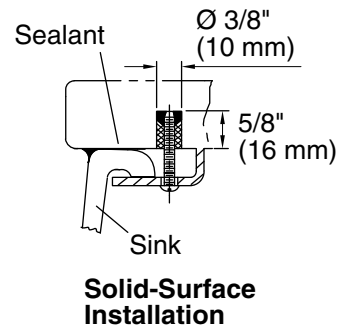
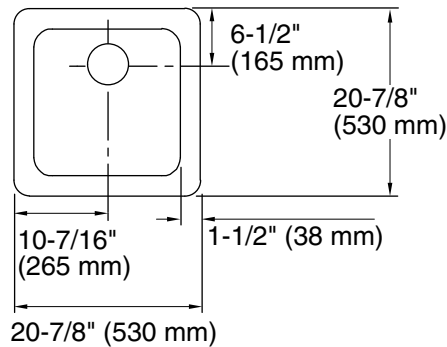
Fixture*:	
Bowl area	18" (457 mm) x 18" (457 mm)
Water depth	9-1/2" (241 mm)
Drain hole	Ø 3-7/8" (98 mm)
* Approximate measurements for comparison only.	
Included components:	
Bowl clamp accessory pack	52047
Cut-out template	114335-7

Installation Notes

Install this product according to the installation guide.

Supplied bowl clamp assemblies require 1" (25 mm) minimum countertop thickness. Installer must supply hardware for thinner countertops.

For multiple bowl under-mount installations, a minimum distance of 3-3/8" (86 mm) is required between bowls. Countertop supplier to determine required support.



Product Diagram