

STERLING®

A KOHLER COMPANY

Features

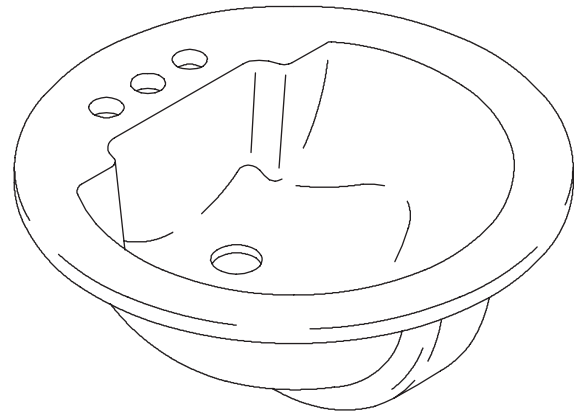
- Durable high-gloss or swirl-gloss finish
- 10-year consumer/3-year commercial limited warranty
- Self-rimming design
- 19" (48.3 cm) x 19" (48.3 cm) x 7-5/8" (19.4 cm)
- Compression molded from our exclusive solid Vikrell® material
- 4" (10.2 cm) on center, faucet mounting holes

Codes/Standards Applicable

Specified model meets or exceeds the following:

- IAPMO/UPC
- ANSI Z124.3
- ASTM E84
- HUD, UM Bulletin 73A
- NAHB Research Foundation, Inc.

ROUND LAVATORY
75020140
ALSO 65020140



Colors/Finishes

- 0: White
- Other: Refer to Price Book for additional colors/finishes

Accessories:

- NA: None applicable

Specified Model

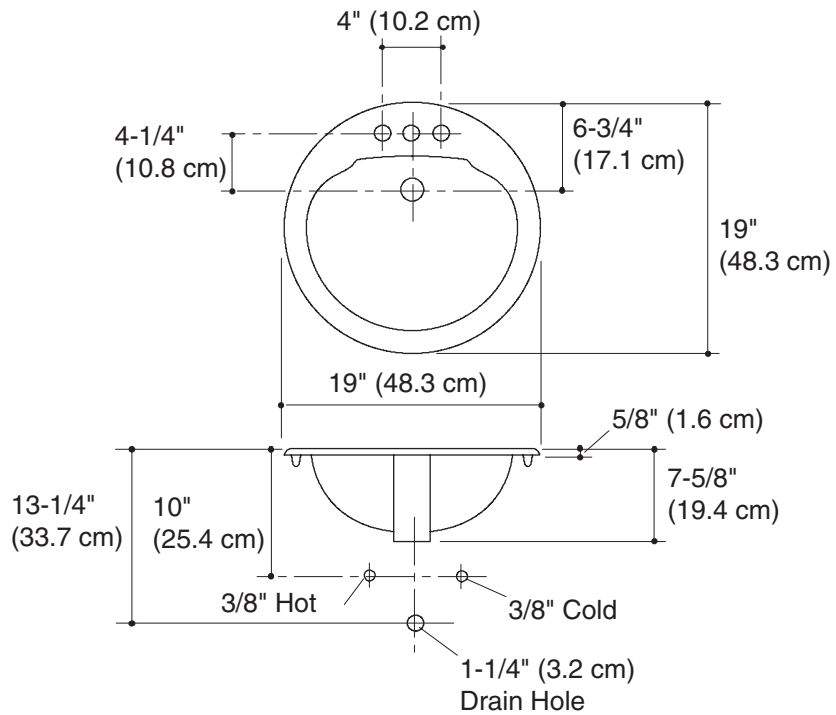
Model	Description	Quantity	Colors/Finishes	
75020140-*	High-gloss lavatory basin, 4" (10.2 cm) centers	1	<input type="checkbox"/> 0	<input type="checkbox"/> Other _____
65020140-*	Swirl-gloss lavatory basin, 4" (10.2 cm) centers	1	<input type="checkbox"/> 0	<input type="checkbox"/> Other _____
65020640-*	Swirl-gloss lavatory basin, 4" (10.2 cm) centers	6	<input type="checkbox"/> 0	<input type="checkbox"/> Other _____

*Note: Add appropriate color/finish code to the end of the unit model # when ordering

Technical Information

Fixture*:	basin area	water depth
Lavatory	14-1/2" (36.8 cm) x 12-1/2" (31.8 cm)	4-7/8" (12.4 cm)
* Approximate measurements for comparison only.		

Holes	75020140	65020140
Spout	1-3/16" (3 cm) D.	1-3/16" (3 cm) D.
Faucet	1-3/16" (3 cm) D.	1-3/16" (3 cm) D.
Drain	1-3/4" (4.4 cm) D.	1-3/4" (4.4 cm) D.
Drain hole	1-1/4" (3.2 cm) D.	1-1/4" (3.2 cm) D.



Product Diagram