

LAV/SINK OUTLET BOX

» 696 SERIES

OxBox™

ITEM # SUBMITTED	_____
JOB NAME	_____
LOCATION	_____
ENGINEER	_____
CONTRACTOR	_____
PO#	_____ TAG _____

SPECIFICATION

Sioux Chief 696 series supply OxBox™ shall be used where necessary in residential or commercial plumbing supply systems. Access box can be secured directly to vertical stud or between studs using galvanized bracket. Supply line(s) can be installed from above or below. Arrester variations can be installed with arresters at any angle. Unit shall be available with ¼-turn valves. Metal support bracket shall install into top/bottom tracks of box. Outlet connections shall be generally ¾". Outlet connections should generally be provided with a test/tamper-resistant cap. Every unit shall include a debris cover for protection during rough-in. Valves will be plated. Arrester option handles can be operated together (single throw) or independently.

MATERIALS

- Valve body:** no-lead brass¹
- Valve shank:** no-lead brass¹/copper/PPSU/CPVC, 304SS grip ring
- Outlet box/frame/arrester clip:** ABS
- Arrester body:** stainless steel, C69300 NL brass¹
- Arrester piston:** GFPP with EPDM o-rings
- Bracket:** galvanized steel

CERTIFICATIONS/APPROVALS

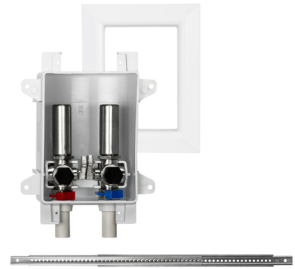
NSF-372 compliant, IAPMO listed box and valves
Valves meet ASME A112.18.1, ASSE 1010 Arresters*

VALVE/ARRESTER WORKING LIMITS

- Max working temperature:** 200°F
- Max air/water testing & working pressure:** 150 PSIG

DIMENSIONS

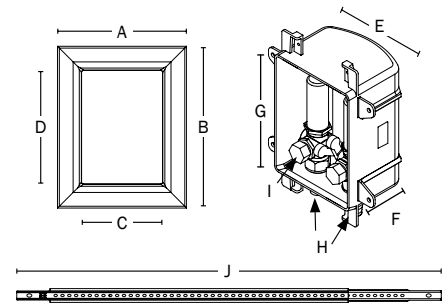
- A:** Frame width 5¾"
- B:** Frame height 7¼"
- C:** Frame opening width 3⅝"
- D:** Frame opening height 5⅛"
- E:** Rough-in box width 4"
- F:** Rough-in box depth 3½"
- G:** Rough-in box height 5½"
- H:** Supply connections ½" nominal, 2" O.C.
- I:** Outlet connections ¾" compression
- J:** Bracket length 18"



696-G2011CF



696-G2001WR



Create Item Number

696-G20ABC

e.g. **696-G2011MF:** Lav/sink outlet box with MIP/F.SWT valves with arresters, frame included

ARRESTER A

- 01** = No arrester
- 11** = With arrester*

SUPPLY CONNECTION B

- C** = ½" Male CPVC
- M** = ½" MIP/F.SWT
- P** = ½" Male sweat/press/push
- V** = ½" Viega® PureFlow® PEX
- W** = ½" PEX F1960 Grip™
- X** = ½" PEX F1807/F2159 Crimp™

FRAME PACKAGING C

- F** = Standard pack (supply box, frame, bracket, debris cover)
- R** = Rough-in pack (supply box, bracket, debris cover)

Available Separately:
696-1F: Frame only
696-SC1: Frame insert w/hose knockout
696-EX: Frame extension

¹Material is C69300 dezincification and SCC resistant, and is compliant with NSF-61 Annex G and California No Lead Plumbing Law