



Ensemble™

60" x 42" AFD Bath/Shower
71110112



Features

- Modular design allows it to be moved around corners and through doorways with ease.
- Durable high gloss finish.
- Gentle sloping back, neck, and armrests in bath.
- Integral apron eliminates installation step.
- Above-floor-drain (AFD) rough-in.
- Realistic tile wall surround features molded-in shelves for generous storage space.
- 3" (76 mm) wainscot/tile ledge.
- 18-1/4" (464 mm) bath depth (floor to top of threshold).
- 60" (1524 mm) x 42" (1067 mm) x 74-1/4" (1886 mm) complete unit finished dimensions.

Material

- Compression molded from our exclusive solid Vikrell® material.

Installation

- Tongue-and-groove four piece modular design allows for easy snap together installation.
- Some caulk required for proper installation.

Components

Product includes:

- 71114100 60" x 42" Bath/Shower Wall Set
- 71111112 60" x 42" AFD Bath



Codes/Standards

CSA B45.5/IAPMO Z124
ASTM E162
ASTM E662
Greenguard UL 2818 - Gold
HUD, UM Bulletin 73



STERLING® Warranty - Fixtures Made of Solid Vikrell Material

See website for detailed warranty information.

Available Color/Finishes

Color tiles intended for reference only.

Color Code Description

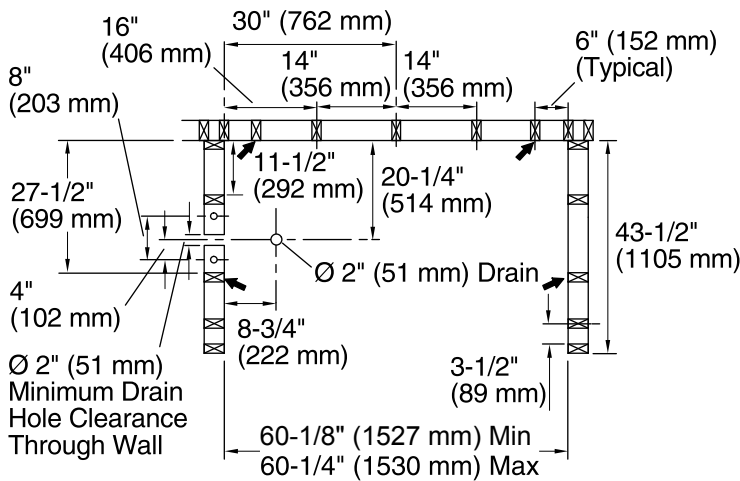
	0	White
	96	Biscuit


USA/Canada: 1-800-STERLING (1-800-783-7546)

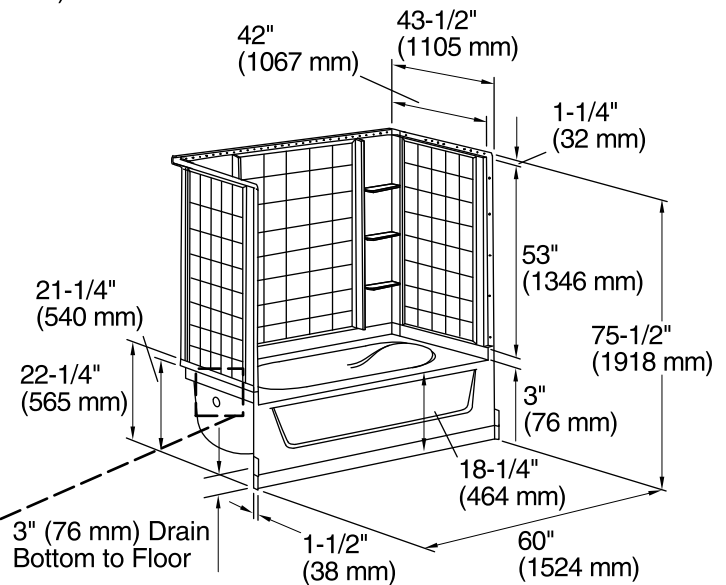
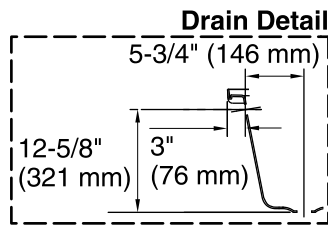
Kohler Co. reserves the right to make revisions without notice to product specifications.

For the most current Specification Sheet, go to www.sterlingplumbing.com.

3-27-2016 05:36



 Recommended Support Clip Location (4 Total)



Technical Information

All product dimensions are nominal.

Installation: 3-Wall Alcove

Drain location: Left

Basin area, bottom: 40" x 27" (1016 mm x 686 mm)

Basin area, top: 52" x 35" (1321 mm x 889 mm)

Water depth: 11" (279 mm)

Water capacity: 55 gal (208.2 L)

Door height required: 55-3/4" (1416 mm)

Door width required: 58-1/2" (1486 mm)

Notes

Measure your actual product for rough-in details.

Install this product according to the installation instructions.

The hot water supply should be 70% of the capacity of the bath or greater. Installations will vary.

Studs should be positioned roughly as shown.

Double studing is recommended for pivot shower door installations.