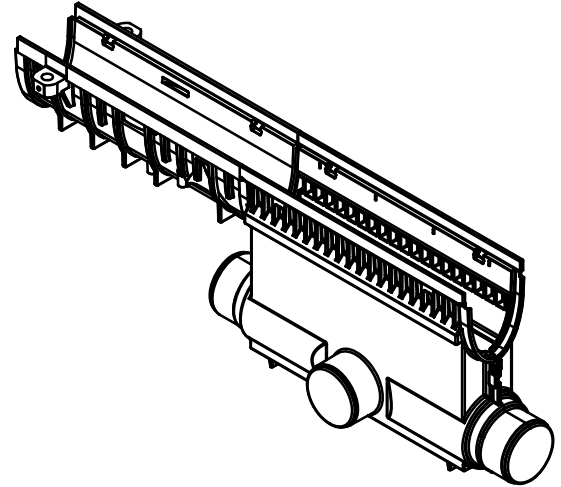
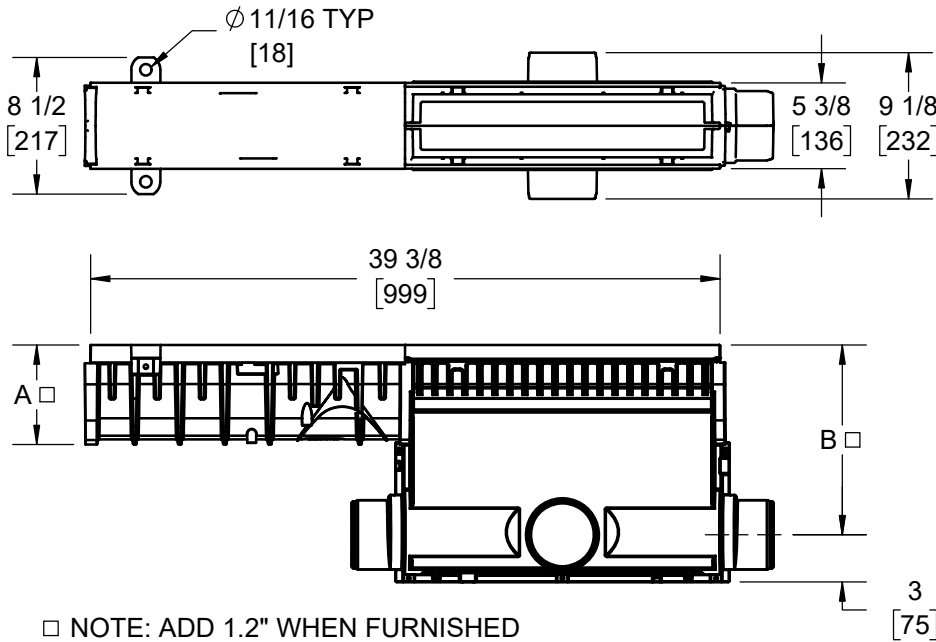


SPECIFICATION:

JOSAM PRO-PLUS™ 100 SERIES FULL METER TRENCH DRAIN SECTION WITH SILT BOX AND SEDIMENT BUCKET. MADE WITH SMC/GRP MATERIAL AND INCLUDES FOUR 4" NO-HUB PIPE CONNECTIONS

**TRENCH DRAIN
PRO-PLUS™ 100 SILT BOX**

SERIES **100C-SB**



□ NOTE: ADD 1.2" WHEN FURNISHED WITH DUCTILE IRON FRAME 152431 OR 152441

"CHANNEL" -SB	A	B	WEIGHT (LBS)
100C-SB	6.2	11.9	15.1
100C01-SB	7.5	13.4	20.7
100C02-SB	7.7	13.6	20.9
100C03-SB	7.9	13.8	21.1
100C04-SB	8.1	14.0	21.2
100C05-SB	8.3	14.2	21.4
100C05N-SB	8.5	14.2	21.6
100C06-SB	8.5	14.4	21.7
100C07-SB	8.7	14.6	21.9
100C08-SB	8.9	14.8	22.1
100C09-SB	9.1	15.0	22.3
100C10-SB	9.3	15.2	22.5
100C11-SB	9.5	15.4	25.4
100C12-SB	9.7	15.6	25.6
100C13-SB	9.9	15.8	25.8
100C14-SB	10.1	16.0	25.9
100C15-SB	10.3	16.2	26.1
100C15N-SB	10.5	16.2	26.3
100C16-SB	10.5	16.4	26.4
100C17-SB	10.7	16.6	26.6
100C18-SB	10.9	16.8	26.8
100C19-SB	11.1	17.0	27.0
100C20-SB	11.3	17.2	27.2

WARNING: Cancer and Reproductive Harm - www.P65Warnings.ca.gov

DATE OF LAST CHANGE: 10/07/19

DIMENSIONS ARE SUBJECT TO MANUFACTURERS TOLERANCES AND CHANGE WITHOUT NOTICE. WE CAN ASSUME NO RESPONSIBILITY FOR USE OF SUPERSEDED OR VOID DATA.



MICHIGAN CITY, INDIANA

NOTES